

# MOL 795 Oil Burner



## MOL 795 Oil Burner features:

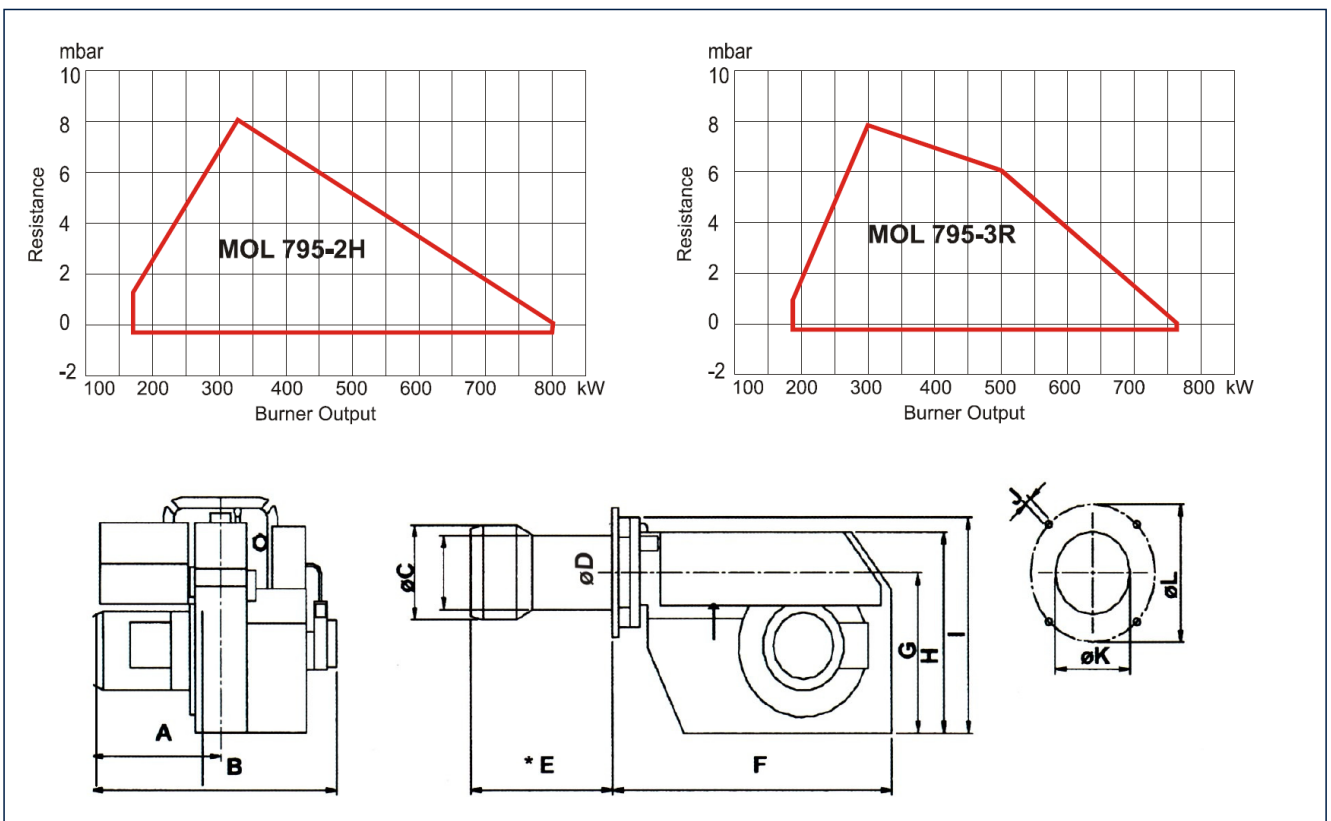
- Energy saving and compatible with environmental requirements
- Quiet in operation and designed for easy maintenance
- Reliable and trouble-free
- Designed and approved in accordance with the European Standard EN 267
- Suitable for high resistance boilers
- Industry standard components easily available
- Designed for high/low operation
- Plug-in contact facilitates the installation
- With hydraulic air or servo motor adjustment
- Optional diffuser plate optimiser
- Fuel – Light distillate oil Class D (1.5-5.5 cSt @ 40°C)
- All kW ratings are nett CV



For more information on all Nu-way products  
please visit [www.nu-way.co.uk](http://www.nu-way.co.uk)

 **NU-WAY**<sup>®</sup>  
Enertech Group

Type		MOL 795-2H	MOL 795-3R
Capacity	kW	166-795	166-759
Motor	V/Hz W / A (Fuse) + A (control fuse)	400 / 50 750 / 3 x 16 + 6	400 / 50 750 / 3 x 16 + 6
Start / Run Current	Amps	9.3 / 2.1	9.3 / 2.1
Control box		Siemens LMO24	Siemens LMO24
Fuel pump		Danfoss RSA95	Danfoss RSA95
2-Stage		•	•
Gross weight	kg	50	50
Volume	m <sup>3</sup>	0.30	0.30



Burner	A	B	øC	øD	E*	F	G	H	I	J	øK	L
MOL 795	290	595	160	155	273	610	321	400	405	M12	165	254-295

\* Extended Lengths Available

	2-nozzle	3-nozzle	Servo motor	Hydraulic air regulation	Diffuser plate optimiser
MOL 795	•		•		
MOL 795-2H	•			•	
MOL 795-3R		•	•		•

Enertech Limited, Ten Acres, Berry Hill Industrial Estate,  
Droitwich Spa, Worcestershire, WR9 9AQ

tel: +44 (0) 1905 794331 • fax: +44 (0) 1905 794017  
email: info@nu-way.co.uk • web: www.nu-way.co.uk



Enertech Group

23-10-2018