

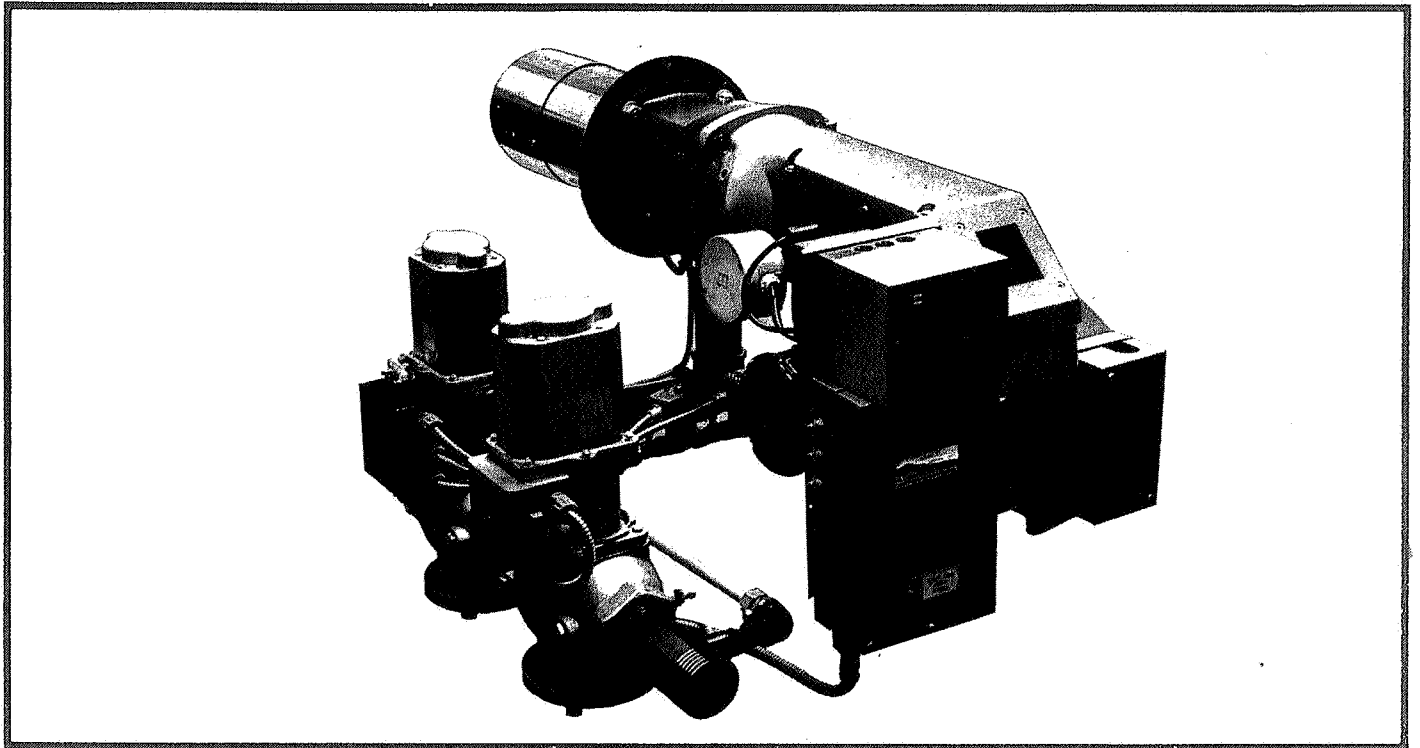
NU-WAY



Technical data

automatic gas burners

MODEL
CG4-24



The Nu-Way model CG4/24 blown gas burner is marketed to meet the requirements of international markets and has rated outputs in the range 146-454 kW (125000 - 387500 kcal/h : 500,000 - 1,550,000 Btu/h). Built to comply with relevant standards, the burner will fire pressurised systems having resistances as listed under burner selection. Units are available for both on/off and high/low/off operation.

FUEL

The CG4 burner is supplied for use on natural gas. Models for manufactured gas and L.P.G. (Liquid Petroleum Gas) are also available.

GAS SUPPLY SYSTEMS

The Burner come complete with a gas train which consists of main and pilot line gas governors, control valves and manual gas cocks. The main governor is supplied loose this may be installed separately from the burner if necessary. Gas inlet designed for left hand (standard) or right hand connection.

CONSTRUCTION

Monobloc metric design using fastenings to ISO standards. Suitable for flange mounting. Access to the inner assembly is by hinging away the fan casing from the gas muff.

AIR REGULATION

The combustion air is controlled by a fixed damper which is adjustable (motorised damper for high/low operation).

Flame supervision is by ionization probe or photo-electric (UV) cell and automatic sequence controller. The CG4 burner may be controlled by suitable thermostats, pressure switches, time switches, frost stats, etc. An adjustable air pressure switch give protection if combustion air is, or becomes, insufficient. The burner is supplied complete with a pre-wired control panel. An additional panel is supplied on steam boiler applications, this containing relays, feed pump starter (direct-on-line up to 4 kW with star delta above), etc., to steam boiler requirements. Micro switch is fitted to the gas muff, to switch off the burner circuit when the inner assembly is removed for service or attention.

OPTIONAL EXTRAS

Air inlet silencer. Pressure switch to detect low gas supply pressure. Pressure switch to detect high gas supply pressure. Safety shut-off proving system.

APPROX. WEIGHT

86 kg.

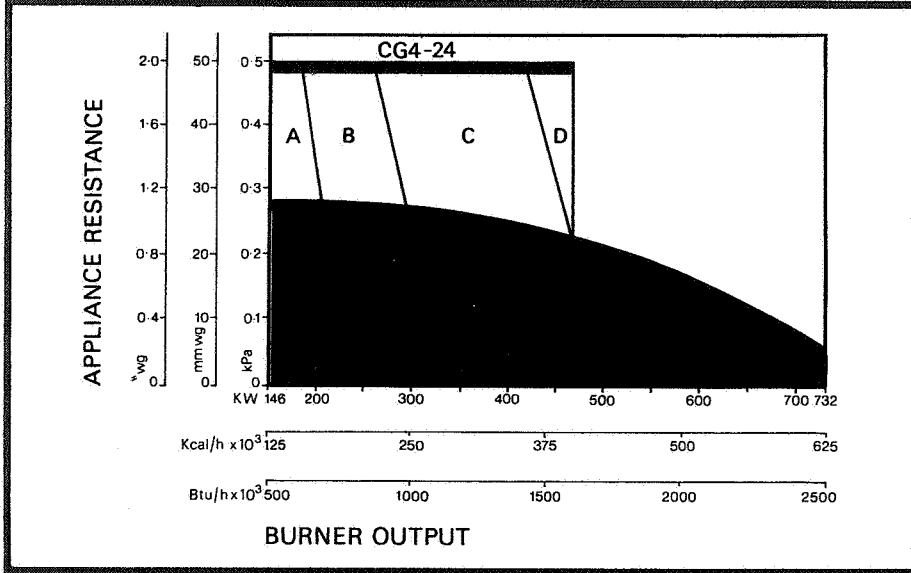
ELECTRICAL DATA

	1 PH	3 PH
Supply (V) \pm 10%	230	415
Motor (KW)	0.56	0.56
(hp)	0.75	0.75
Burner start current (A)	30	9
Burner run current (A)	5	1.5
Fuse Rating (A)	15	6
Recommended cable size (mm ²)	1.5	1.0

Ignition by direct spark from double-wound and suppressed transformer secondary 8.7 kV - 23 mA, earth return.



BURNER SELECTION



ORDERING INFORMATION

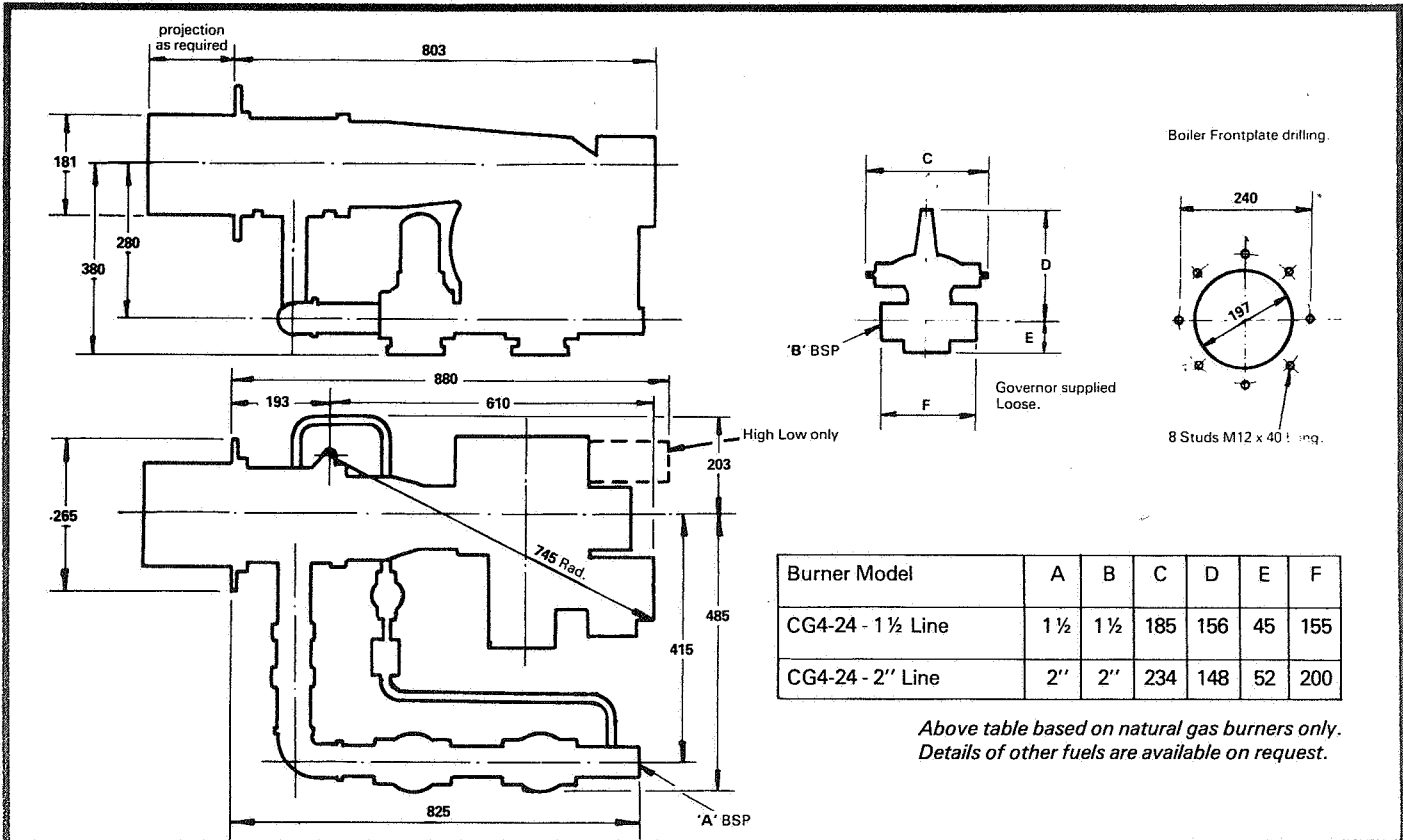
When ordering a Nu-Way model CG4/24 burner please provide the following information to expedite your order.

Type of appliance with which the burner is to be used.

Appliance rating and resistance.
Specification of electrical supply locally available, i.e. voltage and frequency.
Type of gas and pressure available.

This graph applies to the CG4/24 burner only. For details of other burners see relevant data.

DIMENSIONS



Nu-way Heating Plants Limited
Droitwich, WR9 8NA, England

Telephone: Droitwich (09057) 2331 & 2527
Telex: 338551. Cables: JASNU DROITWICH

Nu-way policy is one of continuous improvement. The right to change prices and specifications without notice is reserved.



UNPACKING

After unpacking the burner, it is necessary to attach the gas train assembly and the terminal box to the burner.

INSTALLATION

If the burner is being fitted to an existing appliance, the stack, flue passage ways and heat transfer surfaces must be cleaned.

Prepare boiler frontplate to receive burner. (See Data Sheet).

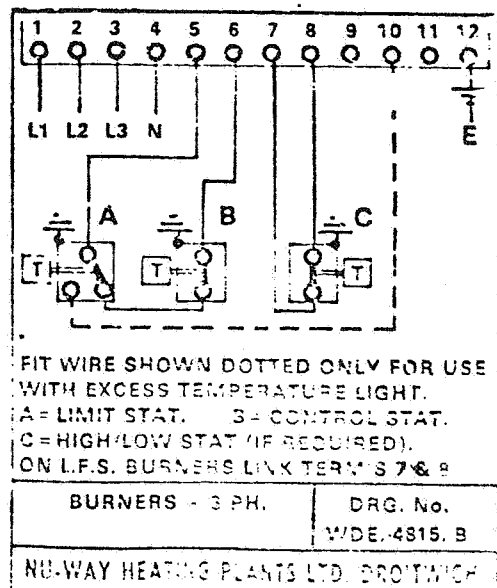
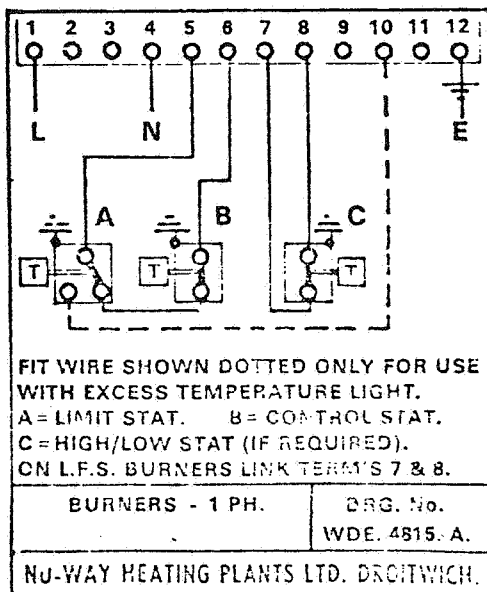
The end of the draught tube must be flush with, or protruding from, the forward face of the quarl or boiler frontplate protection.

Flue and ventilator requirements.

The top of the flue should be above all roofs within a radius of 10 m (30 ft). If a cowl is fitted it should be removed.

The height of the flue from the boiler outlet, should be 4.6-12.2 m. (15 /40 ft.). The corresponding draught over the burner, when firing, should be between 0.5 and 8.0 m. (0.02" and 0.30") w g.

Electrical Connections



A fresh air ventilator is required for the room housing the appliance. The minimum area should be calculated on the basis of 0.16 sq ft (142 sq cm) per 100 000 Btu/h (26.5 Kcal/h). Further high and low level ventilation may be required should the temperature in the boilerhouse exceed 45°C - (110°F).

The gas supply lines

Sized to British Gas recommendations, and made up in accordance with BS1937: or to local gas installation standards.

A manual gas shut-off valve should be fitted upstream of the burner/gas line assembly to permit burner maintenance.

Purge air from the gas supply main.

Electrical supply.

Connect the electrical supply, from the stats, time switches, etc. as appropriate (see appropriate wiring diagram).

OPERATION

To start the burner turn the gas supply valve, the main electrical isolating switch, and where fitted, the separate burner switch to ON.

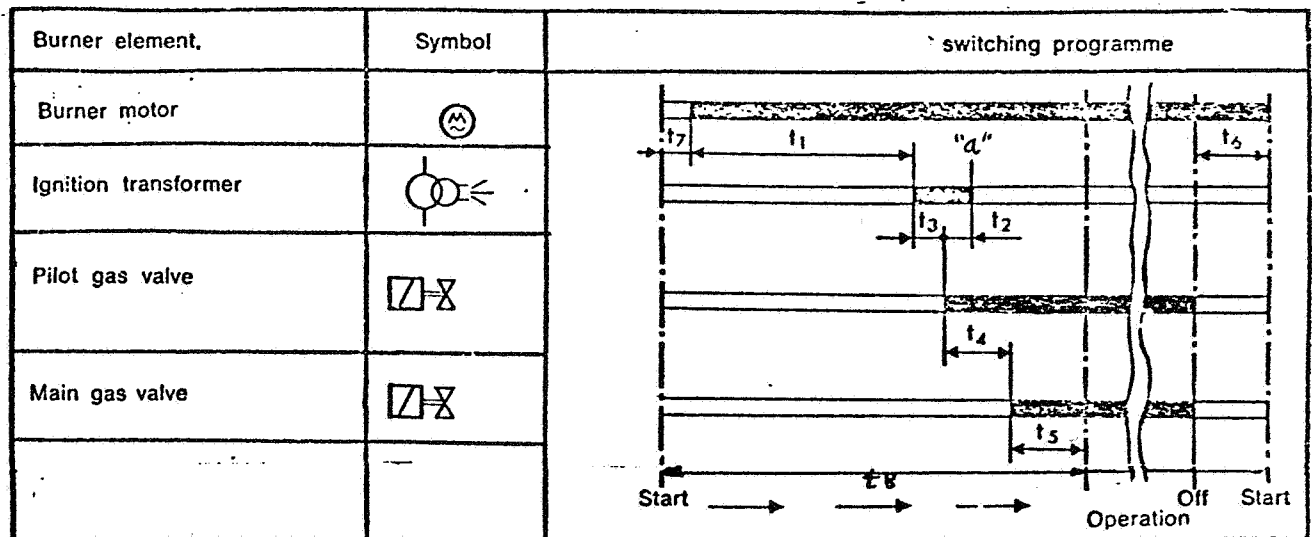
The burner can be stopped in an emergency by opening either of the electrical switches, or by turning off the gas supply.

Ensure that the control box is not in the open "lock-out" condition.

When the burner starts, the switching programme cycle is as

follows:-

Switching programme



	FW46	LFA1.33	LFA1.63
t1	30 secs	30 secs	60 secs
t2	4	3	3
t3	3	3	3
t4	19	12	12

	FW46	LFA 1.33	LFA 1.63
t5	22 secs	28.5 secs	28.5 secs
t6	38	10.5	10.5
t7	5.5	6	6
t8	82	79.5	109.5

The burner continues to run until switched off by:

- a) The control thermostat contacts opening, upon the room or water temperature being reached.
- or
- b) Safety, limit thermostat and time switch contacts opening,
- or
- c) The burner being switched off manually,
- or
- d) Power failure (upon power restoration, burner will restart automatically in the normal way, after the post-purge period).

If the flame fails to be established, the lock-out safety circuit causes the magnetic valves to shut and the lock-out lamp to be illuminated. The lamp is situated on the top of the Elesta FW46A21 control box and behind the reset button on the Landis & Gyr LFA1.33 and 1.63 control boxes.

4.

The control box and motor will both continue to run until the end of the programme cycle (total cycle time - 120 secs. for FW46A21 and LFA1.63: and 90 secs. for LFA1.33). The red reset button should then be pressed to enable the controlbox to attempt to restart.

If during normal burner operation the flame is extinguished, the flame detection circuit reacts within 1 second shutting the magnetic valves and illuminating the lock-out lamp.

The control box and motor will both continue to runetc. (as above).

COMMISSIONING

Release the spring pressure on the main gas governor and open the air damper.

Set the air pressure switch to the minimum figure.

Check that all controlling instruments are calling for heat.

Close manual shut-off valves downstream of magnetic valves.

Switch on electrical supply and if necessary, press red lock-out button.

Check that programme runs to position "a" on the switching programme chart, goes to lock-out and then completes the programme cycle.

Open the manual pilot shut-off valve. Press the red lock-out button, check that the burner starts and runs on pilot flame.

Open the manual main shut-off valve. Check that the burner starts and runs on main flame.

Using a manometer, connected to the pressure test nipple downstream of the main gas governor, set the main gas governor to a pressure

suitable for the output required. (an approximate setting is shown on Data Sheet).

Adjust the air inlet damper to give the correct gas flue analysis, using a flue gas sampling kit to determine this.

Finally, increase the air pressure switch setting until the burner shuts down and completes the programme cycle. Turn back the setting knob slightly and allow the burner to restart. (Note: The setting knob may have to be turned back several times until the burner starts up and fires normally).

FAULT FINDING

NOTE

It may be necessary, when rectifying a fault, to check whether the air pressure switch is in the "burner start" or "burner run" position. The following procedure will assist in this check: Ensure that all thermostats are in the shut, "calling for heat", position.

Remove the control box.

"Burner start" position - continuity between terminals 19 and 7 on the Elesta FW46A21 and terminals 8 and 10 on the LFA1.33 and 1.63 control boxes.

"Burner run" position - continuity between terminals 5 and 7 on the Elesta FW46A21 and terminals 3 and 10 on the LFA 1.33 and 1.63 control boxes.

If the air pressure switch is found to be in the "burner run" position turn the setting knob to zero. If continuity is not broken the pressure switch is faulty and should be replaced.

Motor fails to start

Check that power is available and that the burner has been correctly wired. Check all fuses in the supply to the burner. Check that the contacts of the time clock and both the control and safety limit thermostats on the appliance or in the room are closed and therefore calling for heat, if these thermostats are not closed, check thermostat settings.

NOTE

(The safety limit thermostat should be set at least 11°C (20°F) above the control thermostat.)

Check that the air pressure switch is in the "burner start" position (see above).

Check that the control box is not in the "lock-out" position (the signal lamp may be faulty).

Check that a flame is not present - the gas valves may not be totally shut off.

Check the probe setting, that the probe is not being short circuited, also that the insulator is not cracked or dirty.

If the "lock-out" condition cannot be reset, the control box may be faulty and should be replaced.

Fan and control box run continuously. Burner does not start.

Air pressure switch is continually in "burner start" position.

Reset air pressure switch (page 7) and check operation (page 7).

Fan starts, but burner goes to "lock-out".

If the flame fails to be established the "lock-out" safety circuit causes the magnetic valves to shut and the "lock-out" lamp to light.

This lamp is situated on top of the Elesta FW46A21 control box and behind the reset button on the Landis & Gyr LFA1.33 and 1.63 control boxes.

The control box and the motor will both continue to run until the end of the programme cycle (total cycle time - 120 seconds for FW46A21 and LFA1.63 and 90 seconds for LFA1.33). The red reset button should then be pressed to enable the control box to attempt a restart.

Ascertain that gas is reaching the appliance, and that the two (3) magnetic valves are in working order.

Check electrode and probe settings, that neither are being short circuited and that the insulators are not cracked or dirty.

Check operation of the transformer, and high tension leads for continuity.

Check that the mains live and neutral connections are correct and that there is a good earth to the burner.

Check that the pilot gas governor is set at a nominal pressure of, 5" for natural gas and 2½" for town's gas. (The actual figure may differ if the probe electrical signal is insufficient, not less than 8µA).

Flame unstable

Check that the burner gas governor has been set at the correct pressure.

Check for blockage in the nozzle and diffuser drillings.

Burner stops after satisfactory running period

If, during normal burner operation, the flame is extinguished, the probe signal reacts within one second, shutting the magnetic valves and illuminating the lock-out lamp. The control box and motor will both continued to run until the end of the programme cycle. The red reset button should now be pressed to enable the control box to attempt a restart.

8.

Check gas supply and pressure.

Check air entry for blockages.

Check that the probe is correctly set and that the insulator is not cracked.

Smell of gas

Check all pipeline joints with soap solution, and tightness of the gas valves. DO NOT SEARCH FOR LEAKS WITH NAKED FLAMES.

Combustion

If there is excessive combustion noise or the flame appears more yellow than usual, contact your installer or service engineer.

Maintenance

Before carrying out any work on the burner, ensure that the electricity and gas supplies are OFF.

No maintenance is required on the pressure switch, control box, magnetic valves or governor unit, apart from checking all cable connections.

The motor bearings are lubricated for life.

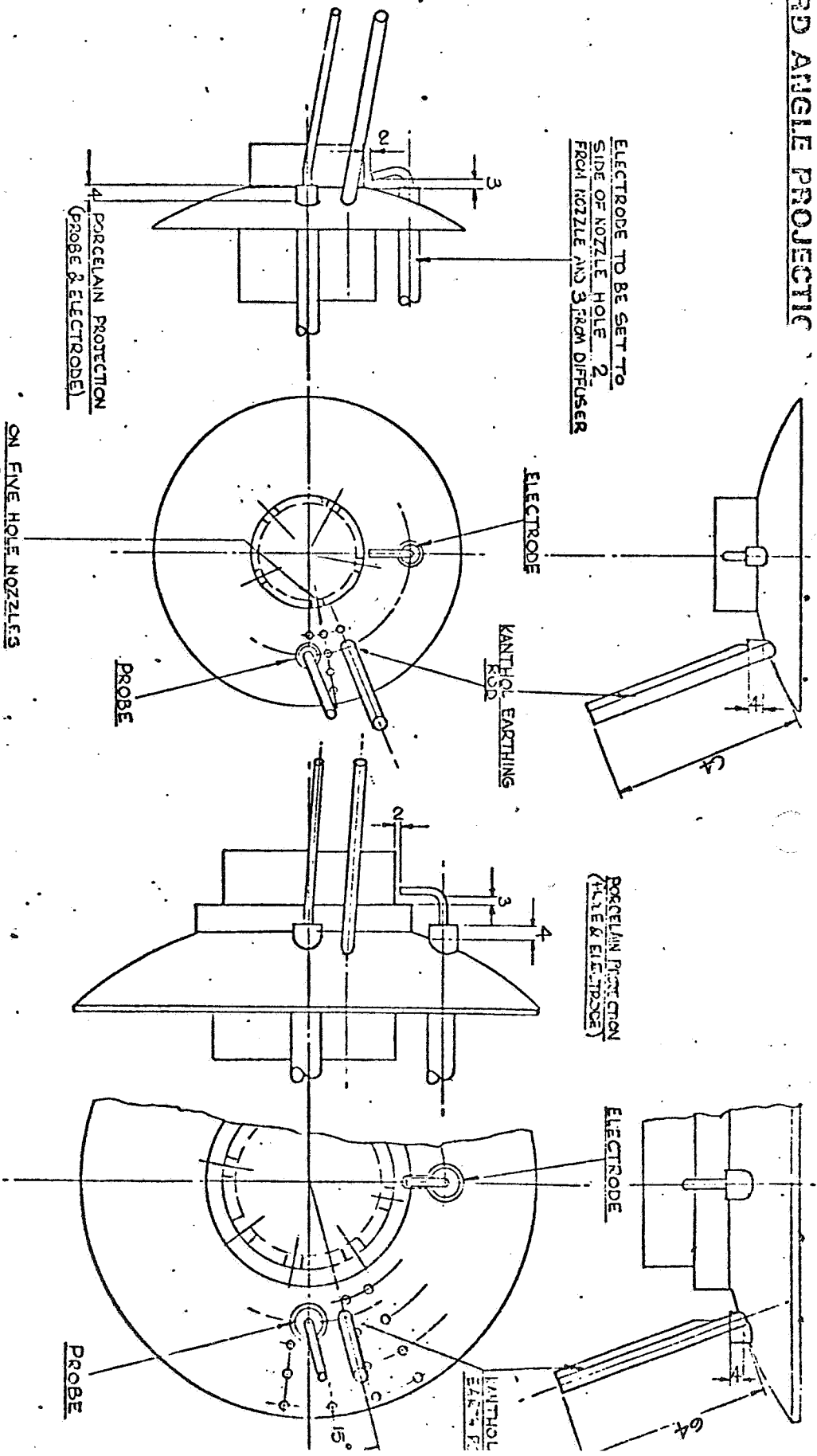
If the fan is damaged, or becomes loose on the motor shaft, it should be repositioned approx. central between the faces of the body casting, taking care that it does not foul any of the air adjustment components.

RATING TH/HR	GAS	NOZZLES	DIFFUSER	DRAUGHT TUBE DIA	GAS TRAIN BSP	PILOT LINE BSP	PILOT GOVERNOR BSP
CG4-24A 5-7	Towns	8 Holes x 9.5mm	171mm Dia x 51mm Back	180 mm No Lip	1 1/2" x 1 1/2" x 1 1/2"	3/8"	1"
	Natural	8 Holes x 4.8mm End Holes					
	L.P.G	8 Holes x 3.2mm					
CG4-24B 7.1-10	Towns	8 Holes x 12.7mm	165mm Dia x 51mm Back	180 mm Lip 170 mm	1 1/2" x 1 1/2" x 1 1/2"	3/8"	1"
	Natural	8 Holes x 5.6mm P/Air 8 Holes x 3.2mm					
	L.P.G	8 Holes x 3.6mm					
CG4-24C 10.1-13	Towns	16 Holes x 9.5mm	165mm Dia x 51mm Back	180 mm Lip 170 mm	2" x 2" x 2"	1/2"	1"
	Natural	8 Holes x 5.6mm P/Air 8 Holes x 3.2mm					
	L.P.G	8 Holes x 4.8mm					
CG4-24D 13.1-16	Towns	16 Holes x 11.0mm	159mm Dia x 51mm Back	180 mm Lip 170 mm	2" x 2" x 2"	1/2"	1"
	Natural	8 Holes x 6.4mm P/Air 8 Holes x 3.2mm					
	L.P.G	8 Holes x 4.8mm					

DRG. NO. A2-433

ISSUE	0	1	2	3	4	5
MODS.	6	7	8	9	10	11

THIRD ANGLE PROJECTIC



ST/STEEL DIFFUSER (A2-481)

CAST IRON DIFFUSER (X56923)

NOTE: EARTH ELECTRODE & PROBE TO RUN PARALLEL TO ONE ANOTHER

DRAWN CMH

PROTECTIVE FINISH

NU-WAY HEATING PLANTS LTD.
DROITWICH, WORCS

TITLE
ELECTRODE PORT & EARTH ROD SETTING LIGHT BURNER

FIN CODE
MATERIAL CODE
DRG. No. A2-433

DATE 12-1-75

MACHINE ROUGH FINISHED FINE FINISHED

THIS DRAWING IS THE PROPERTY OF NU-WAY HEATING PLANTS LTD. AND IS NOT TO BE REPRODUCED OR TRANSMITTED IN ANY FORM OR BY ANY MEANS, ELECTRONIC OR MECHANICAL, INCLUDING PHOTOCOPYING, RECORDING, OR BY ANY INFORMATION STORAGE AND RETRIEVAL SYSTEM. THE USER SHALL INDEMNIFY AND HOLD HARMLESS THE DRAWING OFFICE FROM AND AGAINST ALL SUCH REPRODUCTION AND TRANSMISSION. THE USER SHALL BE RESPONSIBLE FOR OBTAINING ALL NECESSARY RIGHTS OF CLEARANCE FOR ANY PATENTS OR TRADE MARKS WHICH MAY BE INFRINGED BY THE DRAWING. THE DRAWING OFFICE SHALL NOT BE RESPONSIBLE FOR ANY SUCH INFRINGEMENTS.

DRG. No. A2-433

SCALE 1:1

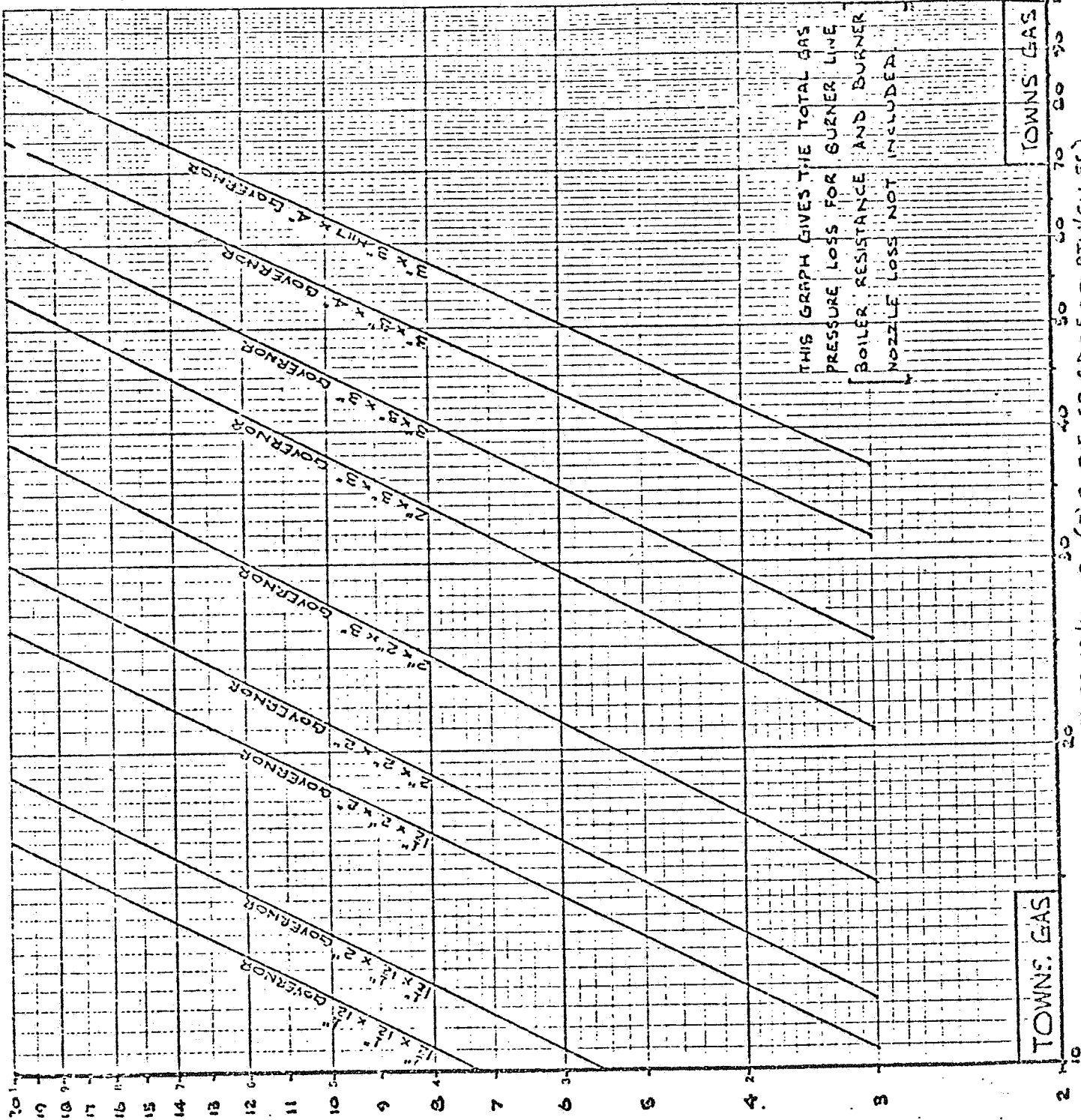
DIMENSION 0-150mm ± 0.5mm 150mm & OVER ± 1.0mm

TO RUN PARALLEL TO ONE ANOTHER

DRG. No. A2-433

DRG. No. A2-433

TOTAL PRESSURE LOSS IN TWIN LINES INCLUDING GOVERNOR



THIS GRAPH GIVES THE TOTAL GAS PRESSURE LOSS FOR GURNER LINE BOILER RESISTANCE AND BURNER NOZZLE LOSS NOT INCLUDED

ADD 3" WG FOR NOZZLE LOSS.

SURE LOSS "WG"

TOWNS GAS

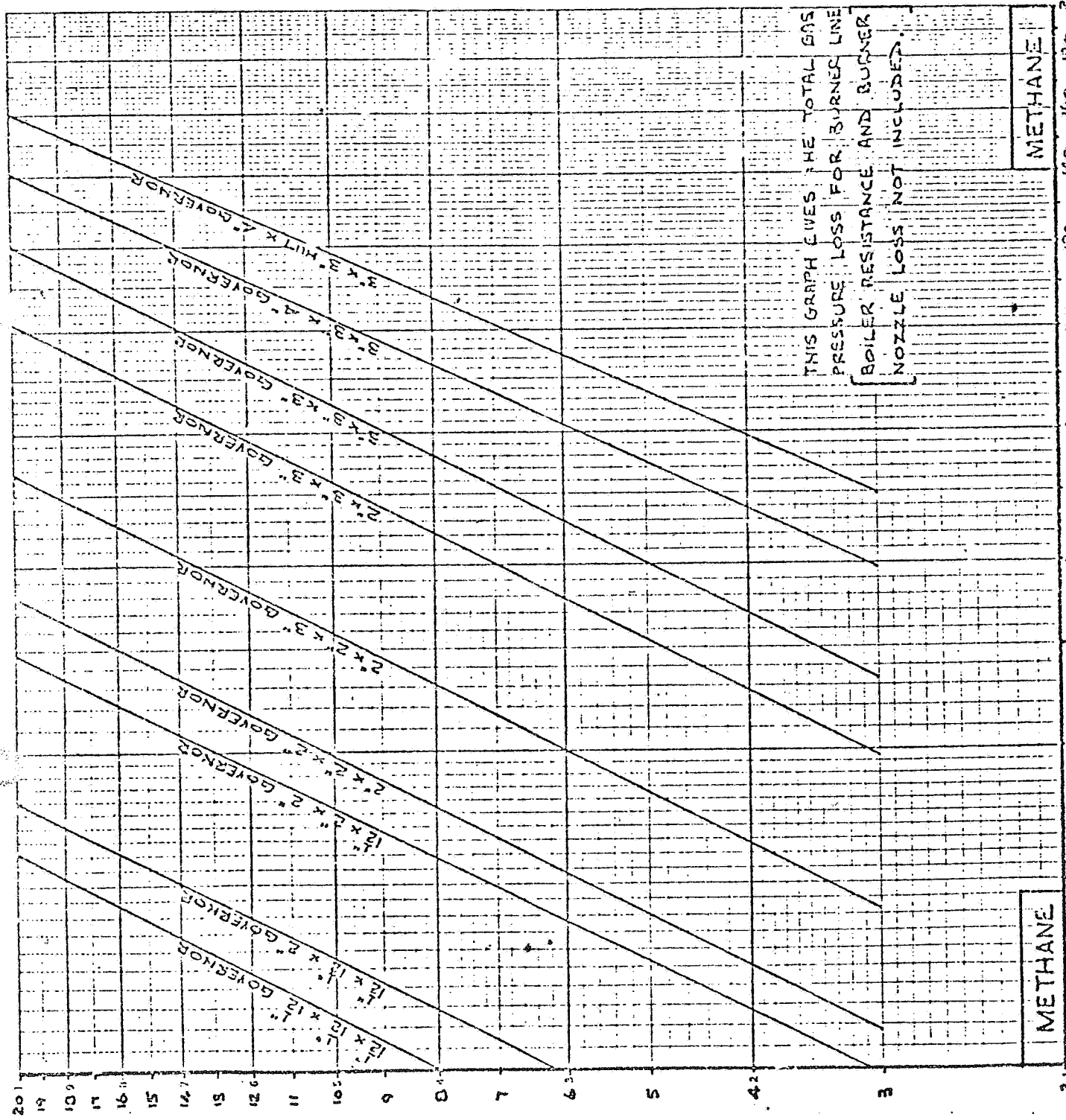
TOWNS GAS

20 30 40 50 60 70 80 90 100

20

2

TOTAL PRESSURE LOSS IN TWIN LINES INCLUDING GOVERNORS



WIRE LOSS

ADD 6\"
NOZZLE LOSS.

THIS GRAPH GIVES THE TOTAL GAS
PRESSURE LOSS FOR BURNER LINE
BOILER RESISTANCE AND BURNER
NOZZLE LOSS NOT INCLUDED.

METHANE

METHANE

THERMS/HOUR (FOR 0.5b SPER - 1000 BTU/CU FT)

