

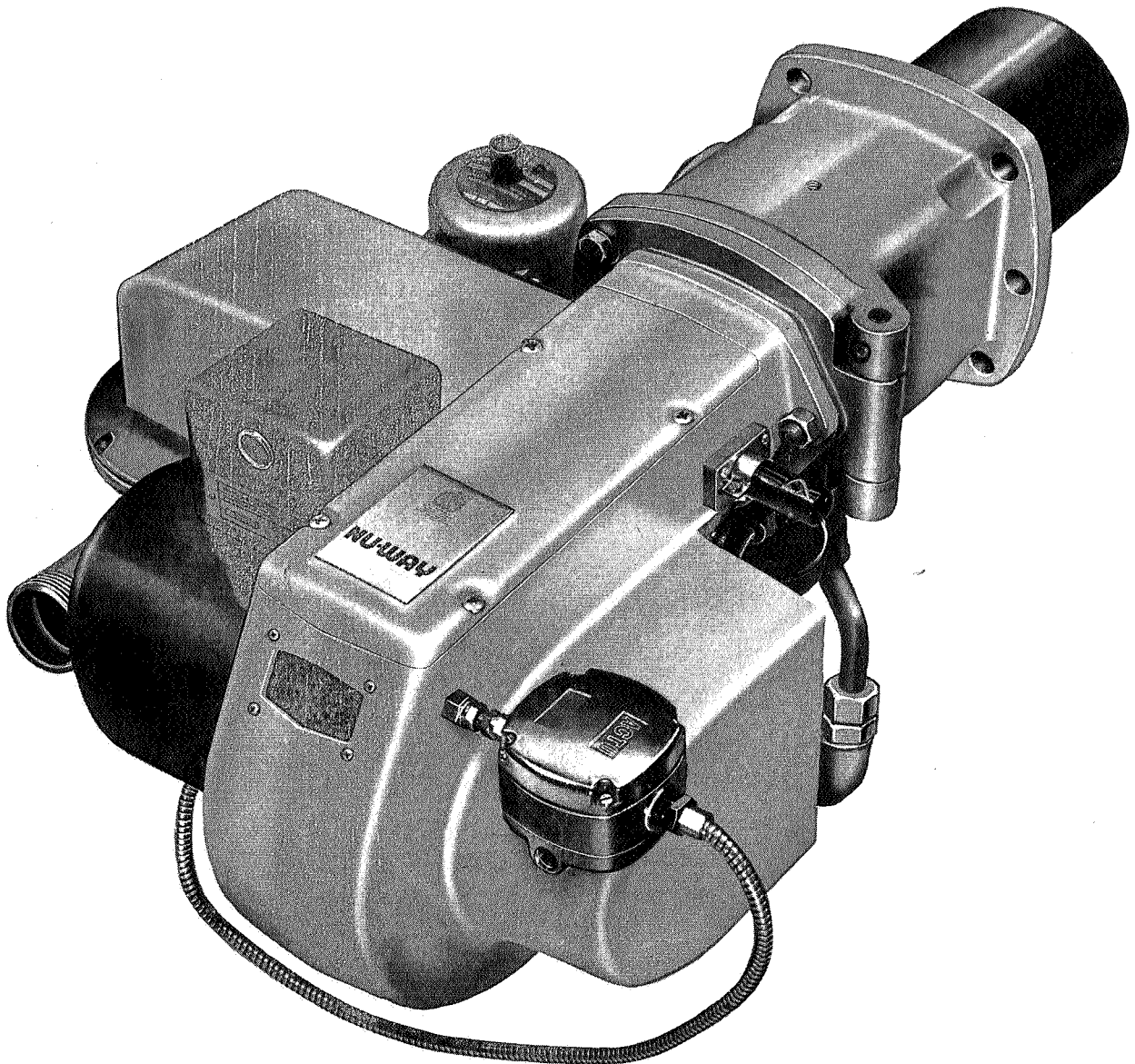
NU-WAY



Technical data

automatic gas burners

MODEL
CG3



NU-WAY

The Nu-way CG3 blown gas burner is designed for automatic operation with burner outputs from 3–13 therm/h (88–380 kW, 65 000–325 000 kcal/h) against balanced draught conditions. It is also able to fire, at reduced output, appliances having a resistance of up to 0.85" wg (21.4 mm wg: 2.14 mbar). Available for on/off operation, the CG3, in general, complies with the requirements of British Gas Corporation Report 764/70 (Automatic Gas Burners for Forced and Induced Draught).

FUEL

Available in versions to burn town's or natural gas or LPG (Liquid Petroleum Gas).

GAS SUPPLY SYSTEM

The burner comes complete with a gas train, which consists of main and pilot line gas governors, control valves and stop cocks. The main gas governor and gas stop cock are assembled and supplied loose; these may be installed separately from the burner if necessary. Gas inlet designed for left or right connection depending on position of gas governor and stop cock.

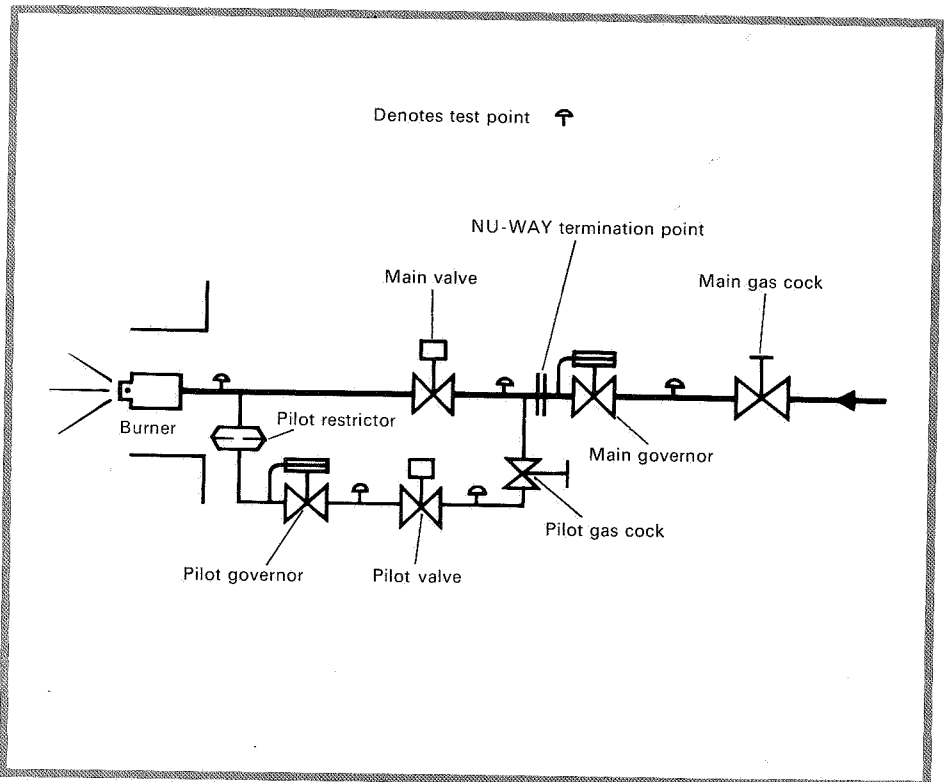
CONSTRUCTION

Monobloc metric design using fastenings to ISO standards. Suitable for flange mounting. Access to the inner assembly is by hinging away the fan casing from the gas muff.

AIR REGULATION

The combustion air is controlled by a fixed damper, which is adjustable. (Motorised damper for high/low operation).

BURNER LINE DIAGRAM



CONTROLS

Flame supervision is by ionization probe or photo-electric (UV) cell and automatic sequence controller. The CG3 burner may be controlled by suitable thermostats, pressure switches, time switches, frost-stats, etc. An air pressure switch which is adjustable between 0.1 and 1.0"wg, gives protection if combustion air is, or becomes, insufficient.

Micro switch is fitted to the gas muff, to switch off the burner circuit when the inner assembly is removed for service or attention.

OPTIONAL EXTRAS

High/low operation.
Twin safety shut-off valves.
Valvac and vent valve.

WEIGHT

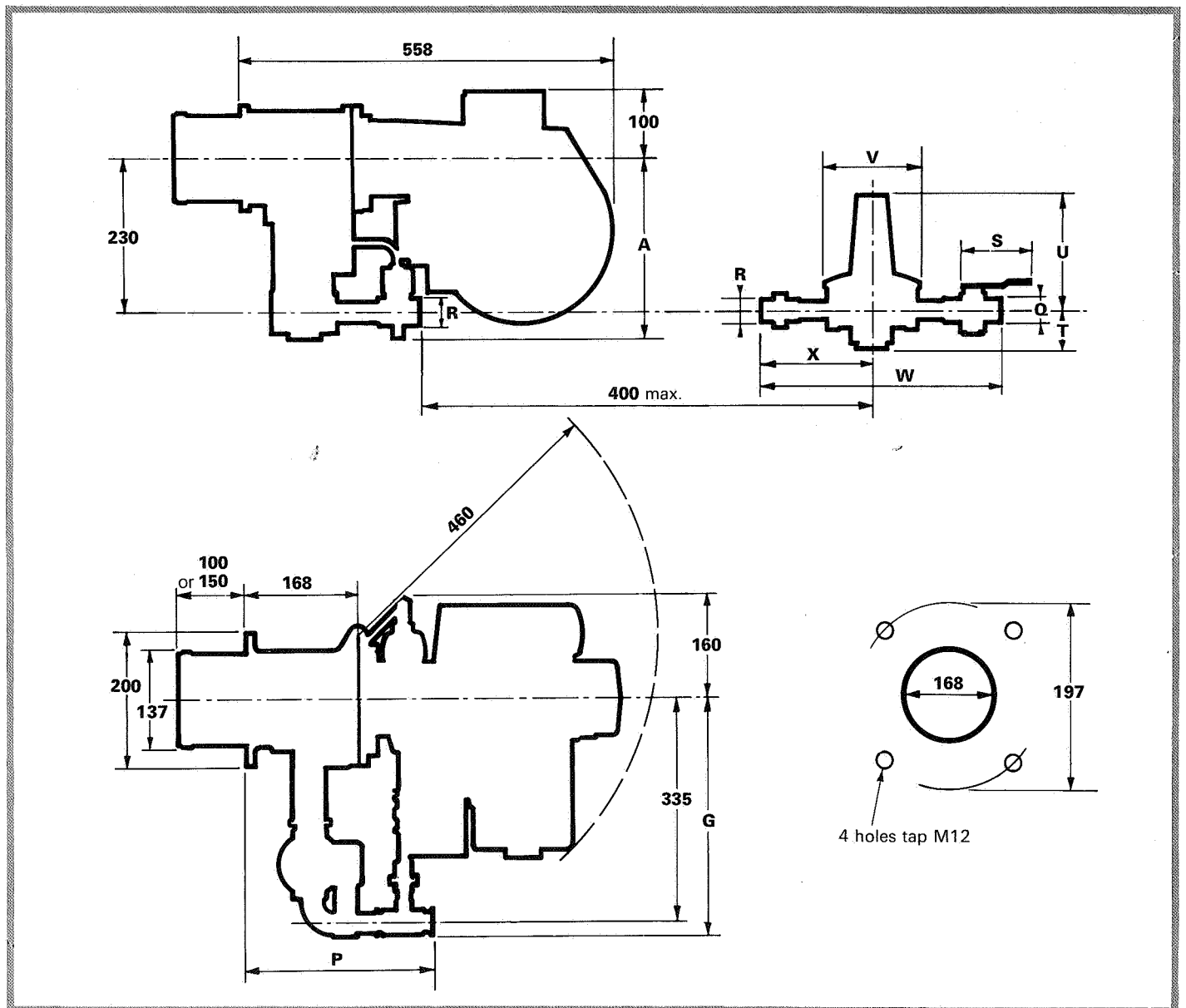
45 kg (100 lb.).

ELECTRICAL DATA

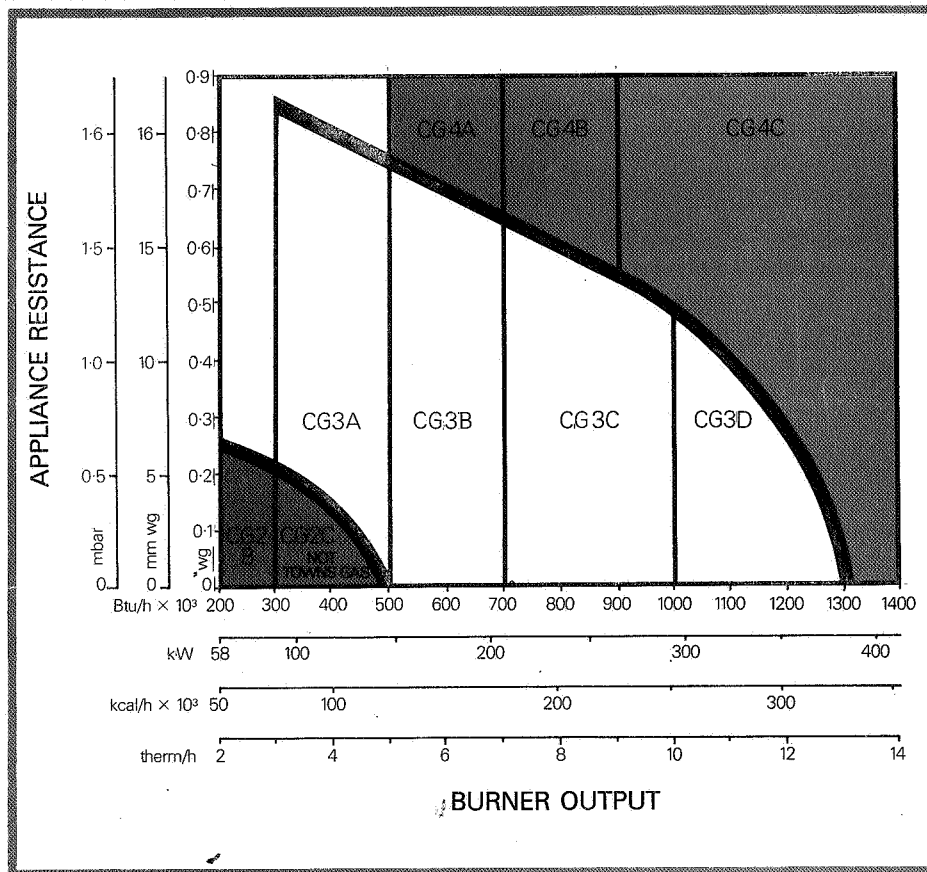
	1 phase	3 phase
Mains supply (V) ± 10%	230	415
Frequency (Hz)	50	50
Motor (W) (hp)	250 $\frac{1}{3}$	250 $\frac{1}{3}$
	2850 rev/min,	
Burner start current (A)	22	3.5
Burner run current (A)	2.4	0.75
Ignition by direct spark from double-wound and suppressed transformer secondary 5 kV-18mA, earth return.		

DIMENSIONS

Burner	Fuel	A	G	P	Q "BSP	R "BSP	S	T	U	V	W	X
CG3A	Towns	272	368	292	2"	2"	190	70	240	212	506	206
	Natural	272	354	267	1"	1"	114	57	175	146	353	162
CG3B	Towns	272	368	292	2"	2"	190	70	240	212	506	206
	Natural	272	360	273	1½"	1½"	156	64	206	172	426	183
CG3C	Towns	332	375	306	3"	2½"	228	102	375	380	720	286
	Natural	272	360	273	1½"	1½"	156	64	206	172	426	183



BURNER SELECTION



ORDERING INFORMATION

When ordering a Nu-way model CG3 burner please specify the following information in order to expedite your order.

Type of appliance.

Rating of appliance.

Specification of electricity supply locally available, i.e. voltage, frequency and whether single or three phase (3 or 4 wire).

Type of gas

For full information on the burner types in the shaded areas, please refer to the respective Technical Data Sheet.

This graph is a guide for burner selection only. For advice on individual applications please consult the Technical Department.

Nu-way Heating Plants Limited
Droitwich WR9 8NA, England

Telephone: Droitwich (09057) 2331 & 2527
Telex: 338551 Cables: JASNU DROITWICH

Nu-way policy is one of continuous improvement. The right to change prices and specifications without notice is reserved.

