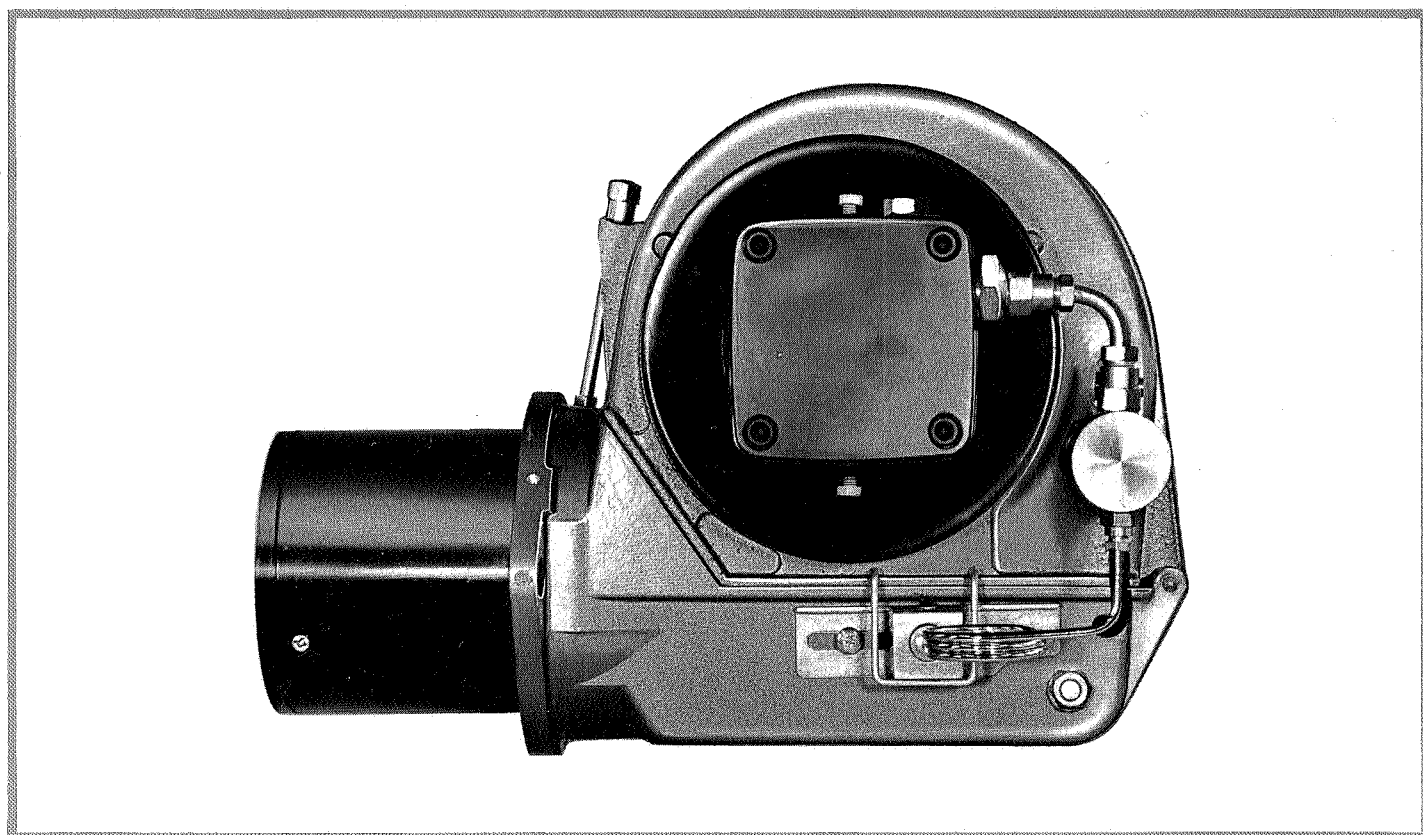


NU-WAY



Technical data

automatic oil burners **MODEL C2**



The Nu-way C2 pressure jet burner is designed for automatic operation with burner outputs from 187 000 625 000 Btu/h (55–182 kW, 47 500–157 000 kcal/h) against balanced draught conditions. Available for on/off operation only.

CONSTRUCTION

Monobloc metric design using fasteners to ISO standards. Body hinged for access to fan and inner assembly.

AIR CONTROL

Disc type device for accurate control of combustion conditions.

FUEL

Light distillate oil to BS 2869: 1970 class D (35 sec Redwood No. 1 at 100°F, 6.0 cSt at 20°C).

CONTROLS

The C2 burner may be controlled by suitable thermostats, time switches, frost-stats, etc.

FUEL SYSTEM

Suitable for single pipe gravity or two pipe, suction lift schemes. Solenoid cut-off valve fitted as standard. Fuel filter with disposable element: fuel connection $\frac{1}{4}$ " BSP.

SAFETY FEATURES

Flame supervision by photo-electric cell with sequence controller complying with BS 799 Part 3: 1970.

OPTIONAL EXTRA FEATURES

Operation on kerosene to BS 2869: 1970 class C (28 sec Redwood No. 1 at 100°F, 1.9 cSt at 20°C).

Burner enclosure.

WEIGHT

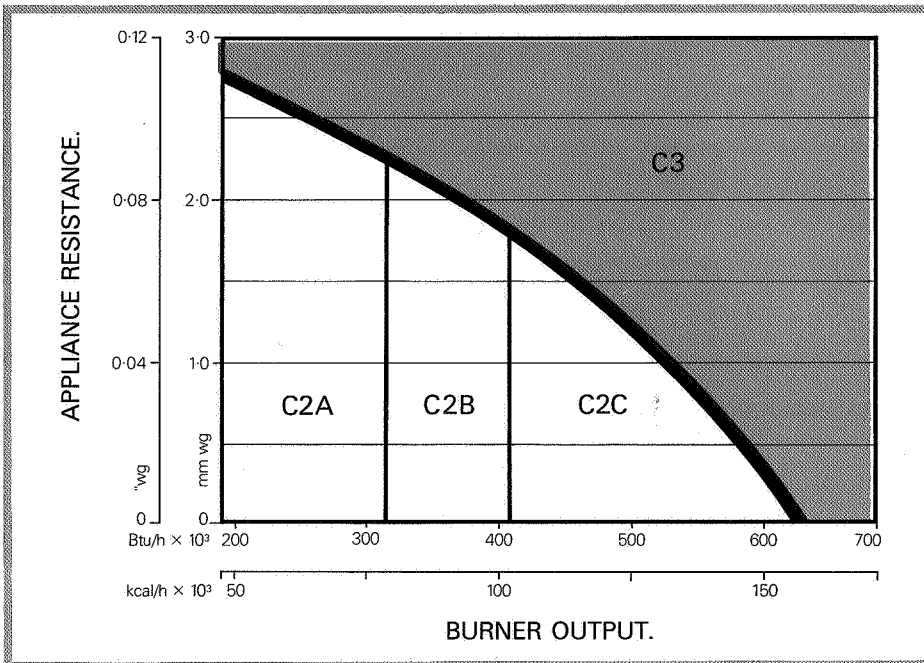
30 lb 13,6 kg.

ELECTRICAL DATA

Mains supply (V)	230+10%—15%
	1 ph 50 Hz
Burner motor (W)	150
	2700 rev/min, capacitor start
Burner start current (A)	1.5
Burner run current (A)	0.94
Ignition	Direct spark from 10 kV 18 mA transformer, centre tap earthed



BURNER SELECTION



ORDERING INFORMATION

When ordering a Nu-way model C2 burner please provide the following information in order to expedite your order.

Type of appliance with which the burner is to be used.

Appliance rating

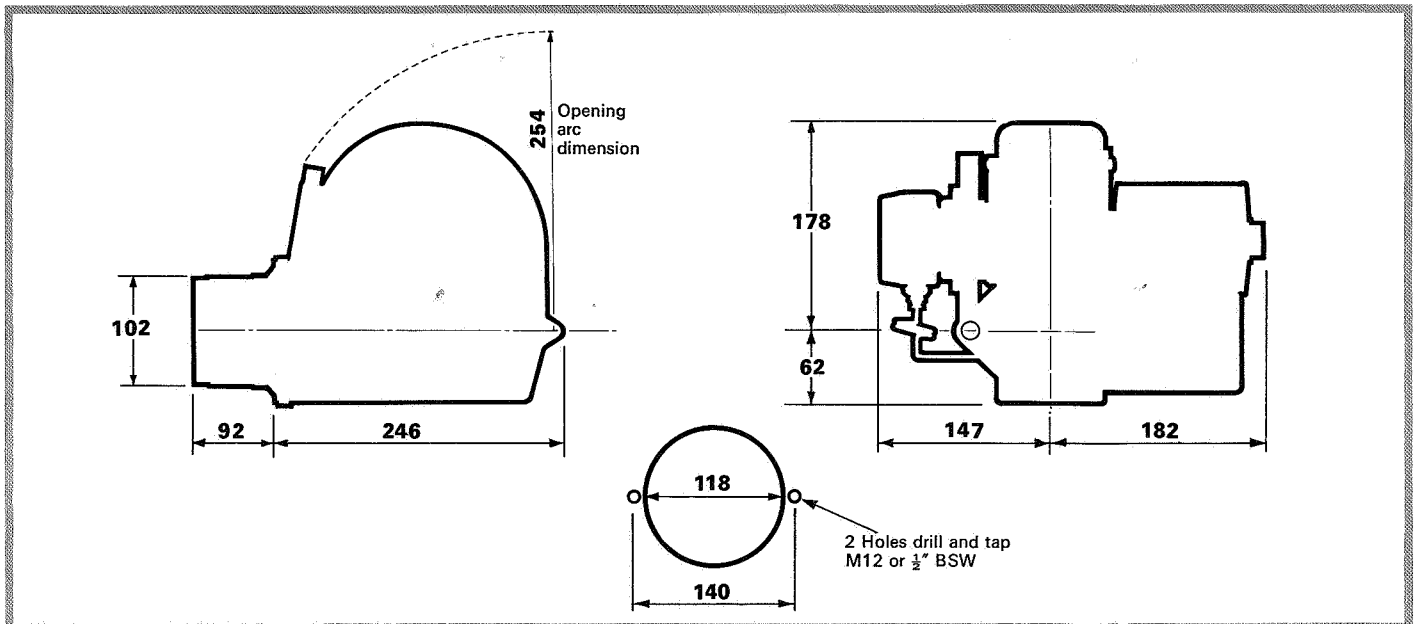
Specification of electrical supply locally available, i.e. voltage and frequency.

Type of oil.

This graph is a guide for burner selection only. For advice on individual applications please consult the Technical Department.

For full information on the burner type in the shaded area, please refer to the respective Technical Data Sheet.

DIMENSIONS



Nu-way Heating Plants Limited Droitwich WR9 8NA, England

Telephone: Droitwich (09057) 2331 & 2527
Telex: 338551 Cables: JASNU DROITWICH

Nu-way policy is one of continuous improvement. The right to change prices and specifications without notice is reserved.

