

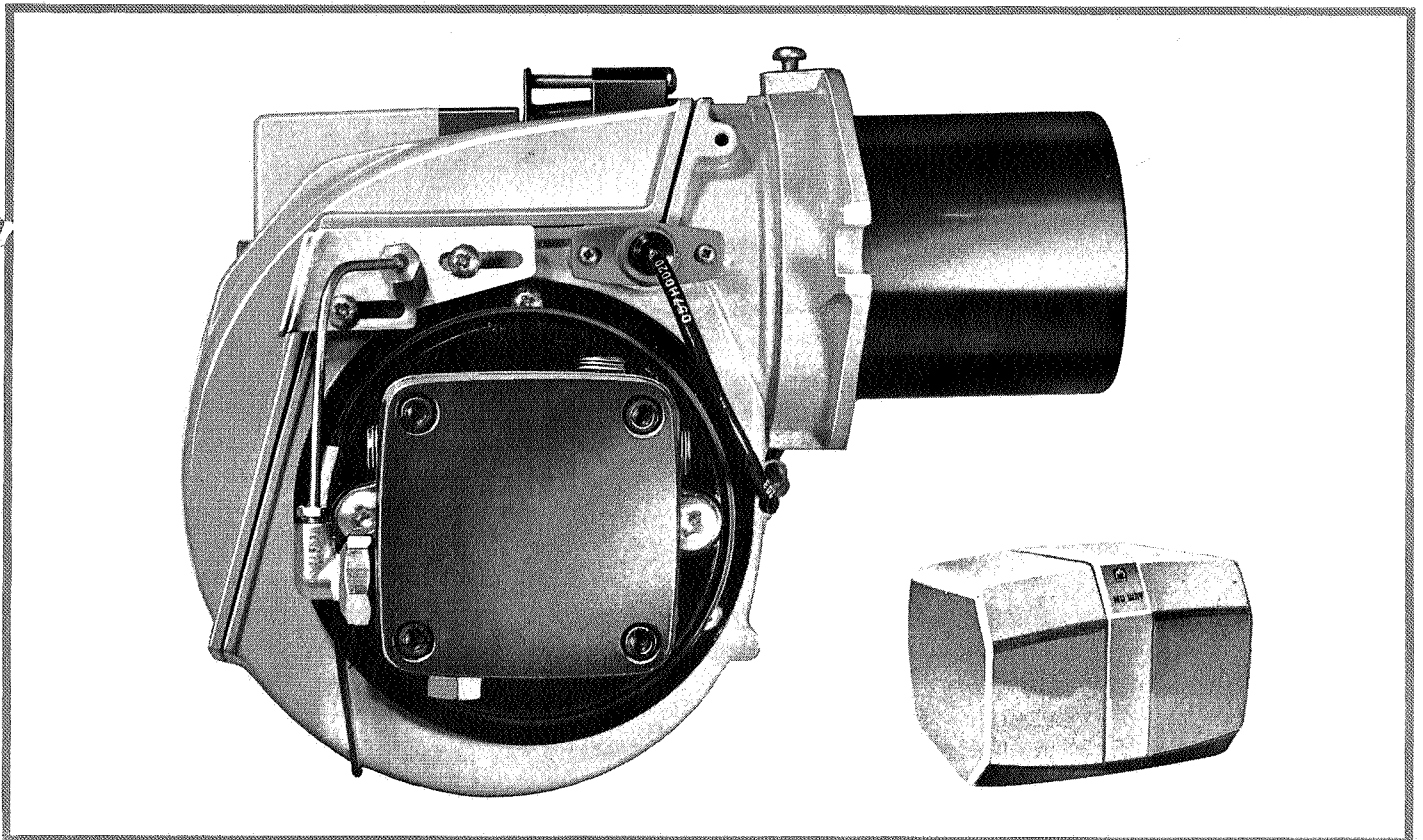
NU-WAY



Technical data

automatic oil burners **C1**

MODEL
C1



The Nu-way C1 pressure jet burner is designed for automatic operation with burner capacities from 68 000 – 185 000 Btu/h (20 – 54 kW, 17 000 – 47 000 kcal/h) against balanced draught conditions. Available for on/off operation only.

FUEL

Light distillate oil to BS 2869 class D (35 sec Redwood No. 1 at 100°F, 6.0 cSt at 37.8°C).

FUEL SYSTEM

Suitable for single pipe gravity feed or two pipe suction lift systems. Fuel filter with disposable element: fuel connection $\frac{1}{4}$ " BSP.

CONSTRUCTION

A monobloc metric design, using fastenings to ISO standards. Suitable for flange mounting. The burner is fixed to the mounting flange by a single screw. This enables the burner to be easily removed for servicing. The fan and inner assembly are accessible by removing the cover plate.

AIR REGULATION

Adjustable strap type damper.

CONTROLS

Flame supervision by photo-electric cell with sequence controller complying with BS 799 : 1970, part 3

The C1 burner may be controlled by suitable thermostats, time switches, frost-stats, etc.

OPTIONAL EXTRAS

Operation on kerosene to BS 2869 : 1970 class C (28 sec Redwood No. 1 at 100°F, 2.0 cSt at 15.6°C).

Quickly detachable moulded cover

WEIGHT

11 kg, 24 lb.

ELECTRICAL DATA

Mains supply (V)	230+10%—15%
	1 ph 50 Hz
Burner motor (W)	75
(hp)	1/10
	2700 rev/min, capacitor start

Burner start current (A) 1.0

Burner run current (A) 0.6

Ignition by direct spark from double-wound and suppressed transformer secondary 10 kV 18 mA
Centre tap to earth

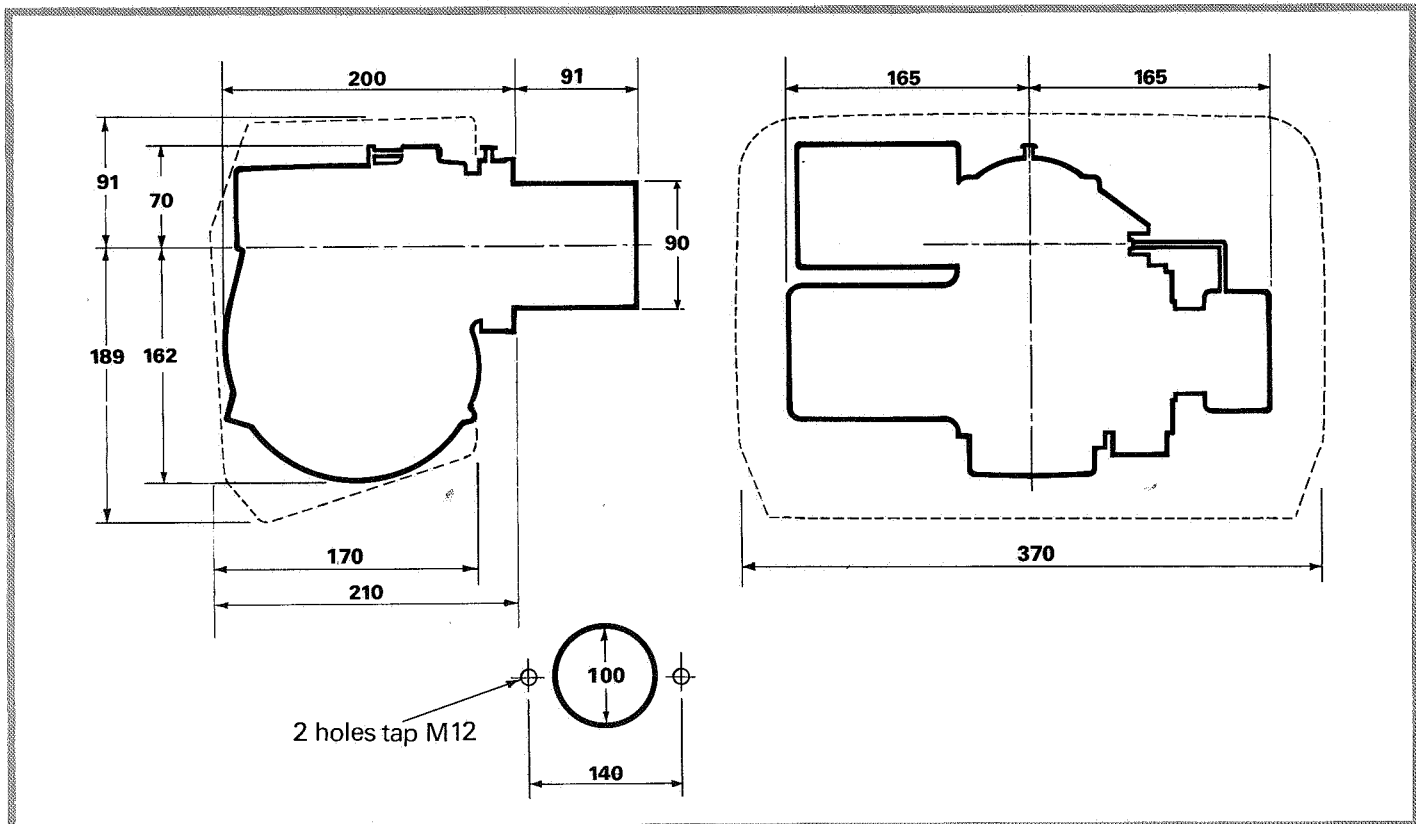


NU-WAY

BURNER SELECTION

Burner model	Burner capacity Btu/h x 10 ³	Appliance output †						Cone ∅ mm	Burner throughput at 125 lbf/in ² US gal/h	Nozzle ‡ marking	
		Efficiency-75%			Efficiency-80%					Size US gal/h	Angle
		Btu/h x 10 ³	kW	kcal/h x 10 ³	Btu/h x 10 ³	kW	kcal/h x 10 ³				
C1A	76.3 91.3 114.4	57 68 85	16 20 25	14 17 21	60 73 92	18 21 27	15 18 23	67	0.56 0.67 0.84	0.5 0.6 0.75	80°
C1B	129.4 152.6	97 114	28 33	24 28	104 122	30 36	26 31	70	0.95 1.12	0.85 1.0	60°
C1C	167.6 182.6 189.4	126 137 142	36 39 41	31 34 35	134 146 152	39 43 44	34 37 38	74	1.23 1.34 1.39	1.1 1.2 1.25	60°

DIMENSIONS



Nu-way Heating Plants Limited Droitwich WR9 8NA, England

Telephone: Droitwich (09057) 2331 & 2527
Telex: 338551 Cables: JASNU DROITWICH

Nu-way policy is one of continuous improvement. The right to change prices and specifications without notice is reserved.

