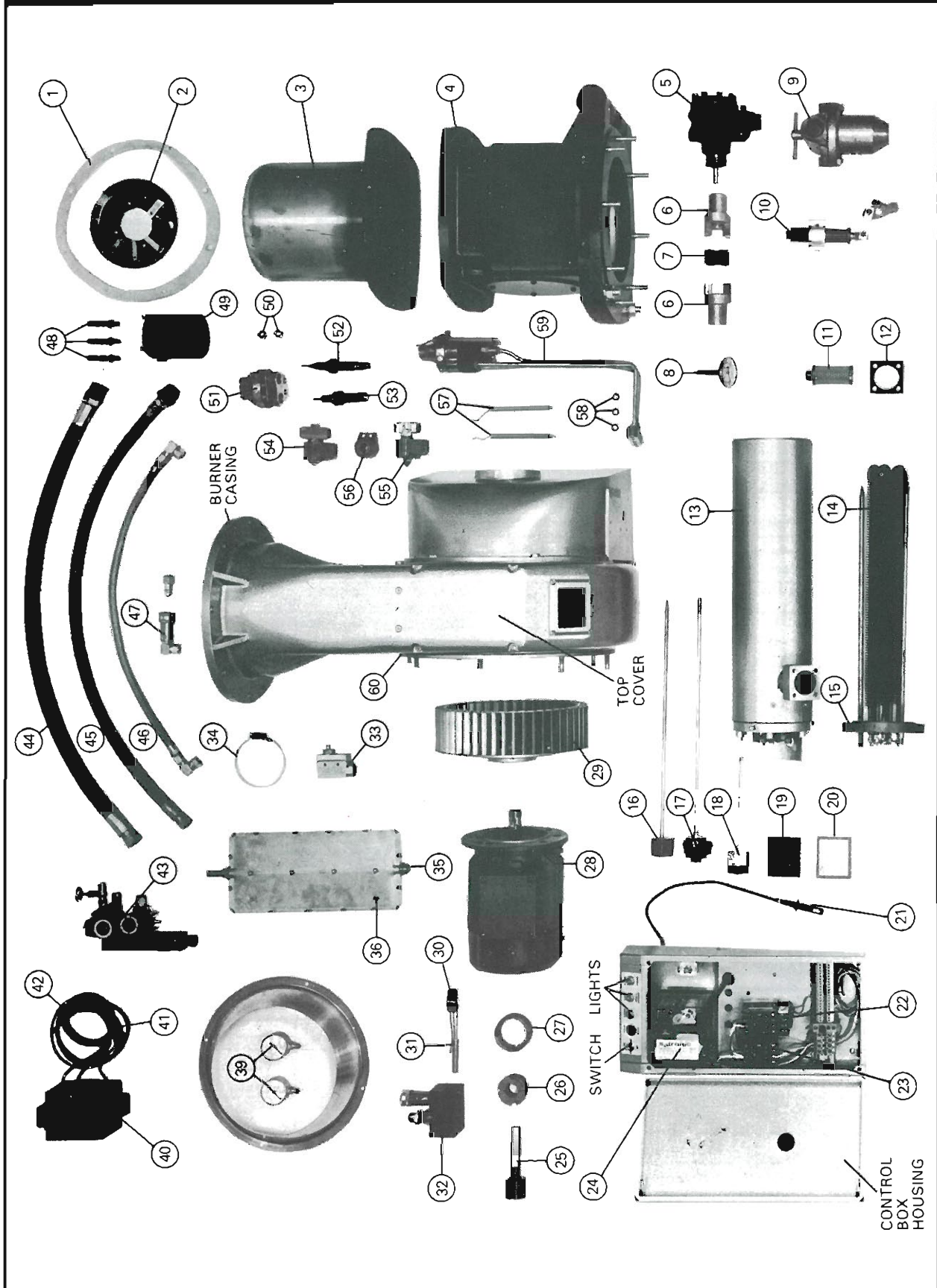


MODELS NOE/NOF/NOG 18-25 to 110-38



ITEM	CODE	DESCRIPTION	USE
25	M04-309N	Motor Shaft Adaptor	NO50-28, 18-34, 35-34
—	M04-301E	Motor Shaft Adaptor	NO60-28, 50-34, 60-34, NO18-38, 35-38, 60-38
—	M04-308M	Motor Shaft Adaptor	NO85-38, 100-38
26	G02-015U	Taperlock Bush 1610 24mm Bore	NO50-28, 18-34, 35-34
—	G02-013S	Taperlock Bush 1215 28mm Bore	NO60-28, 50-34, 60-34, 80-34
—	G02-023U	Taperlock Bush 1615 28mm Bore	NO50-38, 60-38, 85-38, 100-38
27	G01-005A	Taperlock Adaptor 1610A	NO50-28, 18-34, 35-34, NO18-38
—	G01-003G	Taperlock Adaptor 1215A	NO60-28, 50-34, 60-34, 80-34
—	G01-007C	Taperlock Adaptor 1615A	NO50-38, 60-38, 85-38, 100-38
28	A13-004K	Motor 2.2 Kw (3.0 HP) 380/415/3/50	NO50-28, 18-34, 35-34
—	A14-001R	Motor 3.0 KW (4.0 HP) 380/415/3/50	NO60-28, 50-34, 128-38, 35-38
—	A16-001K	Motor 4.0 Kw (5.5 HP) 415/3/50 Hz	NO50-34, 50-38, 60-38
—	A17-002M	Motor 5.5 Kw (7.5 HP) 415V/3/50 Hz	NO85-38
—	A18-002W	Motor 7.5 Kw (10.0 HP) 415/3/50 Hz	NO100-38
—	A13-003J	Motor 2.2 Kw (3.0 HP) 380V/3/50 Hz	NO50-28, 18-34, 35-34
—	A14-005M	Motor 3.0 Kw (4.0 HP) 380V/3/50 Hz	NO60-28, 50-34, 18-38, 35-38
—	A16-006Q	Motor 4.0 Kw (5.5 HP) 380V/3/50 Hz	NO60-34, 50-38, 60-38
—	A17-003N	Motor 5.5 Kw (7.5 HP) 380V/3/50 Hz	NO85-38
—	A18-004Y	Motor 7.5 Kw (10.0 HP) 380V/3/50 Hz	NO110-38
29	D11-004N	Fan Impeller 279 x 76	NO50-28
—	D11-006Q	Fan Impeller 279 x 102	NO60-28
—	D13-002N	Fan Impeller 337 x 63	NO18-34, 35-34
—	D13-003P	Fan Impeller 337 x 76	NO50-34
—	D13-005R	Fan Impeller 337 x 89	NO60-34
—	D15-002Q	Fan Impeller 381 x 76	NO18-38, 35-38, 50-38
—	D15-007M	Fan Impeller 381 x 95	NO60-38, 85-38, 110-38
30	C40-072M	Oil Manifold Thermostat	All
31	E04-061U	Cartridge Heater 80W	All
32	M04-603D	Manifold Block	All
33	B01-015W	Microswitch	All
34	G14-019T	Jubilee Clip	All
35	G10-001A	Air Flap Bush	All
36	P04-033Y	Air Flap	NO50-28, 60-28, NO18-34 to 60-34
—	P04-034Z	Air Flap	NO18-38 to NO100-38
37	L04-011Z	Air Inlet Ring	NO60-28
—	L04-012S	Air Inlet Ring	NO50-28
—	L04-006D	Air Inlet Ring	NO50-34
—	L04-005C	Air Inlet Ring	NO60-34
—	L04-003A	Air Inlet Ring	NO18-38, 35-38, 50-38, 60-38, 85-38, 100-38
38	N04-042Z	Scoop	NO18-34, 35-34
39	G04-005D	Pressure Gauge 0-60 psi	All
40	C04-002H	Transformer 50 mA 220V/50 Hz	All
41	U90-400G	HT Leads (Pair) (State Length)	All
42	G20-001C	Champion Plug Covers	All

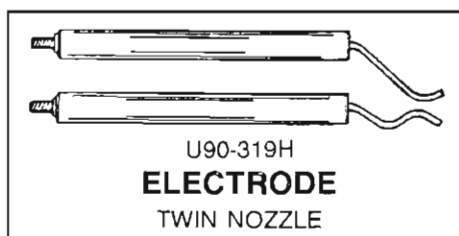
ITEM	CODE	DESCRIPTION	USE
1	G09-001N	Gasket — Hinge Mounted	All
2	L04-115W — L04-118H — L04-114Y — L04-117V — L04-120F	Diffuser Plate 6" x 2" Hole Diffuser Plate 7" x 2½" Hole Diffuser Plate 5½" x 2½" Hole Diffuser Plate 8" x 2½" Hole Diffuser Plate 6½" x 2½" Hole	To specification advised
3	—	Flame Tube	To specification advised
4	—	Hinged Extension	All
5	E02-005T — E02-006U	Fuel Pump Suntec E6 Fuel Pump Suntec E7	All except: NO85-38, 100-38
6	Z04-772Y — Z04-723Z	Flexible Coupling (Pump End) Flexible Coupling (Motor End)	All All
7	G03-017X	Flexible Coupling (Rubber)	All
8	G24-002V	Thermometer 0—300°F	All
9	E03-026Q — E03-010U	Cold Oil Filter (.012") Cold Oil Filter 1" (.024")	
10	E19-001X	Hydraulic Ram	All
11	E03-019Z	Hot Oil Filter Element	All
12	G09-018N — G09-019P	Filter Gasket 3/4.5/6 Kw Heater Filter Gasket 7.5 & 9 Kw Heater	All except: NO85-38, 100-38
13	T04-436Y — T04-437Z — T04-438A — T04-440Q — T04-441D	Preheater Tank 3 Kw (Less Thermostats) Preheater Tank 4.5 Kw (Less Thermostats) Preheater Tank 6.0 Kw (Less Thermostats) Preheater Tank 7.5 Kw (Less Thermostats) Preheater Tank 9.0 Kw (Less Thermostats)	NO18-34, 18-38 NO35-34, 35-38 NO50-28, 50-34, 60-34, NO50-38, 60-38 NO80-34, NO85-38 NO110-38
14	T99-115V — T99-116W — T99-117X — T99-118G — T99-119H	3 Kw Preheater Battery Only 4.5 Kw Preheater Battery Only 6.0 Kw Preheater Battery Only 7.5 Kw Preheater Battery Only 9.0 Kw Preheater Battery Only	To fit Preheater Tank Sizes Listed No. 13
15	G09-065M — G09-066N	Gasket for 3/4.5/6 Kw Preheater Tank Gasket for 7.5/9 Kw Preheater Tank	
16	C40-031C	Thermostat ACS C515 0-100°C	NO18-34, 18-38
—	C40-032D	Thermostat ACS C 587 70-130°C	All except 3 Kw Heater
17	C40-029J — C40-033E	Thermostat ACS B 516 20-120°C Thermostat ACS B 592 70-127°C	NO18-34, 18-28 All except 3 Kw Heater
18	C40-028R	Thermostat (Hand Reset) NU3 178mm	All
19	G16-007S	Inspection Window	All
20	G09-003Q	Gasket for Window	All
21	C31-017R	Photocell L & G ORB (For LAL)	All
21	C31-043T — C31-044U	Photocell FZ Head (SAT) Lead to Suit FZ Photocell	All
22	C55-060Q — C55-062E — C55-063F — C55-064G — C55-065H	Overload — 1.8—2.3 amps Overload — 4—6.2/6.9—10.7 amps Overload — 6—9.2/10—16 amps Overload — 8—12/13—20.8 amps Overload — 11—16/19—27 amps	All All All All All State Motor Size and Voltage
23	C56-044D — C56-047G — B01-060P — B01-061C	Contactors — Danfoss CI19 Contactors — Danfoss CI12 N/O Switch Danfoss 37HO111 N/C Switch Danfoss 37HO112	All All All All State Burner Size and Contactor Use (i.e. Heater Etc.)
—	C51-049M	CI2 Relay	All
24	C21-106W — C21-066Y	Control Box L & G LAL 1.25 Control Box Satronic TM0720—4	All All

ITEM	CODE	DESCRIPTION	USE
43	E09-110J	Pressure Gauge Clock	All
44	E05-004V	Flexible Oil Pipe 3/4" BSP x 914mm	All
45	E05-038W	Flexible Oil Pipe 1/2" BSP x 914mm	All
46	E05-013M	Flexible Oil Pipe 3/8" BSP x 686mm	All
47	G03-019H	Quick Release Coupling 3/8" BSP	All
48	M04-133M	Support Leg	All
49	Z04-394Y	Inner Draught Tube	All
50	—	Nozzles (State Size, Type & Spray Angle)	All
51	U90-101Y	Nozzle Block	All
52	T04-501A	High/Low Needle Valve Assembly	All
53	T04-520G	On/Off Needle Valve Assembly	All
54	E01-003Y	Solenoid Valve 122 N.O	
56	E01-103Z	Solenoid Valve 133K6301 3 Way 240V	
—	E01-022J	Solenoid Valve 322H 7506 220V	
56	B16-027Q	220V Coil for Lucifer Valves 14W	All
57	U90-319H	Electrodes (Pair) (Twin Nozzle)	All
58	G05-005E	'O' Ring (Manifold Block)	All
59	U90-044Z	Inner Assembly Complete	All
60	Z04-201F	Motor Adaptor Plate	NO50-28
—	Z04-203H	Motor Adaptor Plate	NO60-28, 50-34, 60-34, 80-34
—	Z04-226X	Motor Adaptor Plate	NO18-34, 35-34
—	Z04-229A	Motor Adaptor Plate	NO18-38, 35-38, 50-38
—	Z04-234X	Motor Adaptor Plate	NO60-38
—	Z04-235Y	Motor Adaptor Plate	NO85-38, 100-38
ITEMS NOT ILLUSTRATED			
—	E02-061S	Shaft Seal E6 and E7 Pump	All
—	A30-014R	Berger Lahr Servo Motor	—
—	E01-004Z	121 N.C. Solenoid Valve	—
—	G05-107Z	'O' Ring Piston Cut Off	All
—	C50-061L	Texas Pressure Switch	All
—	U90-419W	Extensions for H.T. Leads	All
—	C53-027Z	E.T.I. Timer	—
—	E05-034J	Flexible Oil Pipe 1/2 x 36"	—
—	E05-035K	Flexible Oil Pipe 3/4 x 36"	—
—	C40-066P	R.A.K. Thermostat	—

IMPORTANT: It is essential when ordering spares parts that model number, serial number and specification number are quoted.

- N.B.**
1. Code numbers and types of electrical items listed are based on standard electrical supplies of 220-240V, 1 phase, 50 Hz., or 380-415/3/50 Hz. only
 2. When ordering spare parts it is essential to quote the serial and specification numbers shown on the burner or burners.
 3. All goods are supplied subject to our standard Conditions of Sale.

NOTES:



NU-WAY LIMITED, P.O. Box 1 Vines Lane, Droitwich,
Worcs. WR9 8NA, England.
Tel: Droitwich (01905) 794242
Facsimile: (01905) 794017
& Spares (01905) 795829



BS EN ISO 9001
CERT No FM00921

G99-232B