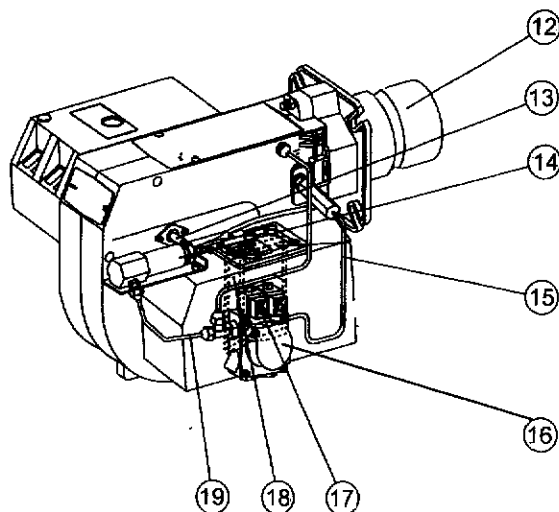
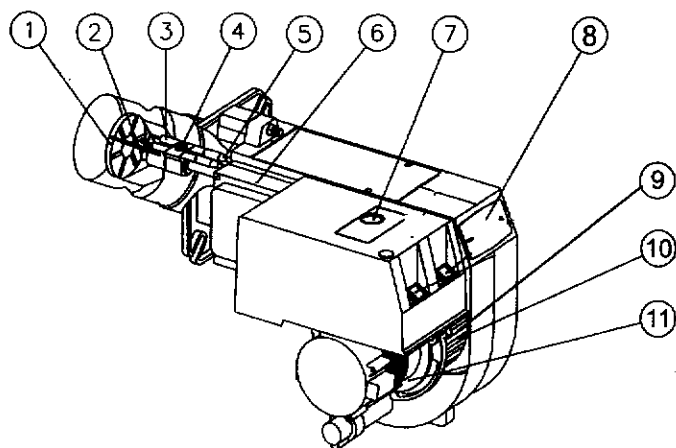


SPARE PARTS LIST



MOL 200 T1L



Item	Description	Part No.	Price £
1	DIFFUSER	BN11888501	
2	NOZZLE (SIZE REQUIRED)		
3	ELECTRODES	BN11924401	
4	NOZZLE ASSEMBLY (TO SPEC ADVISED)		
5	IGNITION LEAD L = 300mm	BN11933702	
5A	IGNITION LEAD L = 330mm	BN11830502	
6	TRANSFORMER FIDA	BN11804601	
7	LOA24171B27	BN11559504	
8	INSPECTION GLASS COVER	BN11708001	
9	DRIVE COUPLING	BN11127819	
10	FAN IMPELLOR 146 x 52 x 12.7	BN11277608	
11	MOTOR 180W 1ph	BN19714806	
12	FLAME TUBE (TO SPEC ADVISED)		
13	QRBI PHOTOCELL	BN91240908	
14	ADJUSTMENT DEVICE - 2 NOZZLE	BN91756503	
15	CONNECTING PIPE STAGE 1	BN11711901	
16	FUEL PUMP A2L65CK	BN12026428	
17	SOLENOID VALVE	BN11597204	
18	AIR DAMPER & REGULATING ASSY	BN11775501	
19	CONNECTION PIPE PUMP TO ADJUSTMENT DEVICE	BN11865101	
	OPTIONS		
	MOUNTING GASKET	BN11278806	
	FLEXIBLE OIL PIPE 1/4" X 3/8" L = 1000	BN11027209	
	FILTER	E03082R	