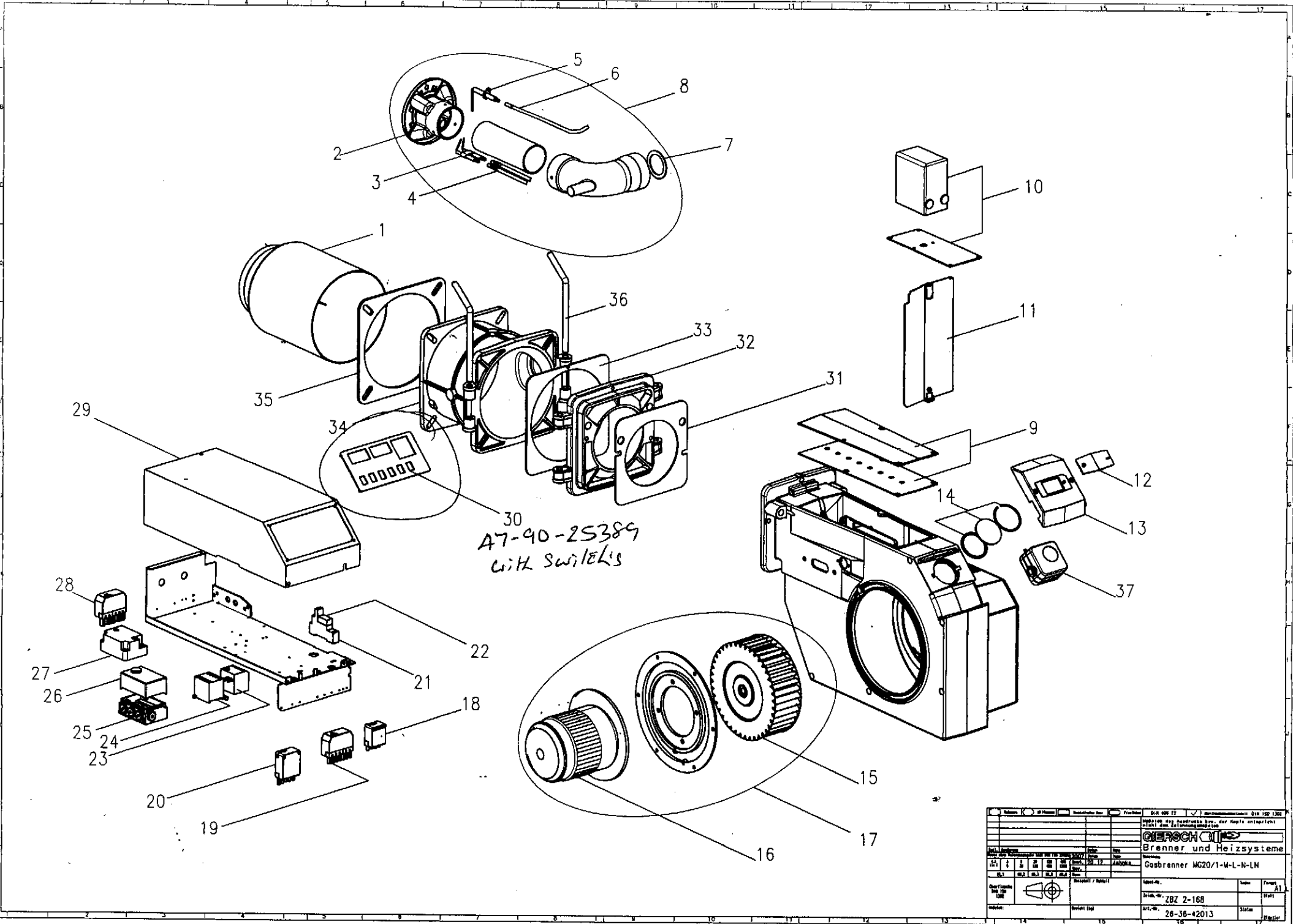


This drawing is the property of Gieroch GmbH. It is not to be reproduced, stored in a retrieval system, or transmitted in any form or by any means, electronic, mechanical, photocopying, recording, or by any information storage and retrieval system, without the prior written permission of Gieroch GmbH.



GIEROCH GmbH		Brenner und Heizsysteme	
Gasbrenner MG20/1-M-L-N-LN			
Zusatz-Nr. ZBZ 2-168		Stückzahl 1	
Art.-Nr. 26-36-42013		Status A1	

Item	Part Description	Part No.
1	Flame tube MGN 860 225mm	47-90-24880
1	Flame tube MGN 860 325mm	47-90-25260
1	Flame tube MGN 860 425mm	47-90-25261
1	Flame tube MGN1350 225mm	47-90-24878
1	Flame tube MGN1350 325mm	47-90-25258
1	Flame tube MGN1350 425mm	47-90-25559
2	Gas nozzle with electrodes	47-90-24877
3	Ignition electrode with bracket	47-90-22421
4	Cable for ignition electrode 225mm	47-50-25134
4	Cable for ignition electrode 325mm	47-50-25004
4	Cable for ignition electrode 425mm	47-50-25005
5	Ionisation electrode with bracket	47-90-26588
6	Cable for ionisation electrode 225mm	47-90-26718
6	Cable for ionisation electrode 325mm	47-90-26719
6	Cable for ionisation electrode 425mm	47-90-26720
7	Gasket for gas connection	47-50-25500
8	Natural Gas inner assembly with electrodes (225mm)	47-90-26626
8	Natural Gas inner assembly with electrodes (325mm)	47-90-26698
8	Natural Gas inner assembly with electrodes (425mm)	47-90-26699
8	LPG inner assembly with electrodes (225mm)	47-90-26709
8	LPG inner assembly with electrodes (325mm)	47-90-26710
8	LPG inner assembly with electrodes (425mm)	47-90-26711
9	Cover for fan casing with gasket	47-90-10698
10	Air damper motor STA 12 until August 08	47-90-25376
10	Air damper motor STA 12 from September 08	47-90-27031
11	Air flap until August 08	47-90-24663
11	Air flap from September 08	47-90-27030
12	Cover for sight glass	47-50-12106
13	Rear cover	47-90-24857
14	Sightglass with gasket	36-50-11544
15	Fan impeller 218 x 80 for MGN860LN	36-90-11540-01
15	Fan impeller 224 x 82 for MGN1350LN	47-90-24847
16	Motor 1,1 kW 400 V / 50 Hz	47-90-26721
16	Motor 2,2 kW 400 V / 50 Hz	47-90-24846
17	Motor 1,1 kW complete with fan impeller	47-90-25205
17	Motor 2,2 kW complete with fan impeller	47-90-25508
18	Electrical plug 4 pole green	37-90-20744
19	Electrical plug 7 pole black/brown	37-90-20731
20	Electrical plug 5 pole black	37-90-20748
21	Relay base CR-PLSx	47-90-26713
22	Relay CR-P230AC2	47-90-25199
23	Thermal overload 2,4 - 4,0 A for MGN860LN	47-90-25172
23	Thermal overload 4,0 - 6,0 A for MGN1350LN	47-90-25173
24	Motor starter B7-30-10	47-90-25171
25	Base for control box	31-90-22393
26	Control box DMG 972	47-90-22232
27	Electronic Ignitor	47-90-24469
28	Electrical plug 7-pole green	37-10-10831
29	Lid for control panel	47-90-24852
30	Rear cover for control panel	47-90-25389
31/33/35	Gasket set	47-90-26722
32	Hinged section MGN860/1350LN	44-90-30242
34	Hinged extension MGN860/1350LN	44-90-30245
36	Rod for hinge MGN860/1350LN	46-50-21085
37	Differential air pressure switch 2,5 - 50 mbar	47-90-26723
Modulating burner accessories		
Not Shown	TLK43 Modulating controller configured for steam boiler use	47-20-24693-01
Not Shown	TLK43 Modulating controller configured for hot water boiler use	47-20-24693-02
Not Shown	TLK43 PT100 sensor for hot water use	47-10-26554
Not Shown	TLK43 Stainless steel pocket for PT100 sensor	47-10-24695
Not Shown	TLK43 0-10 bar Steam pressure sensor	47-10-26302
Not Shown	TLK43 0-16 bar Steam pressure sensor	47-10-26303