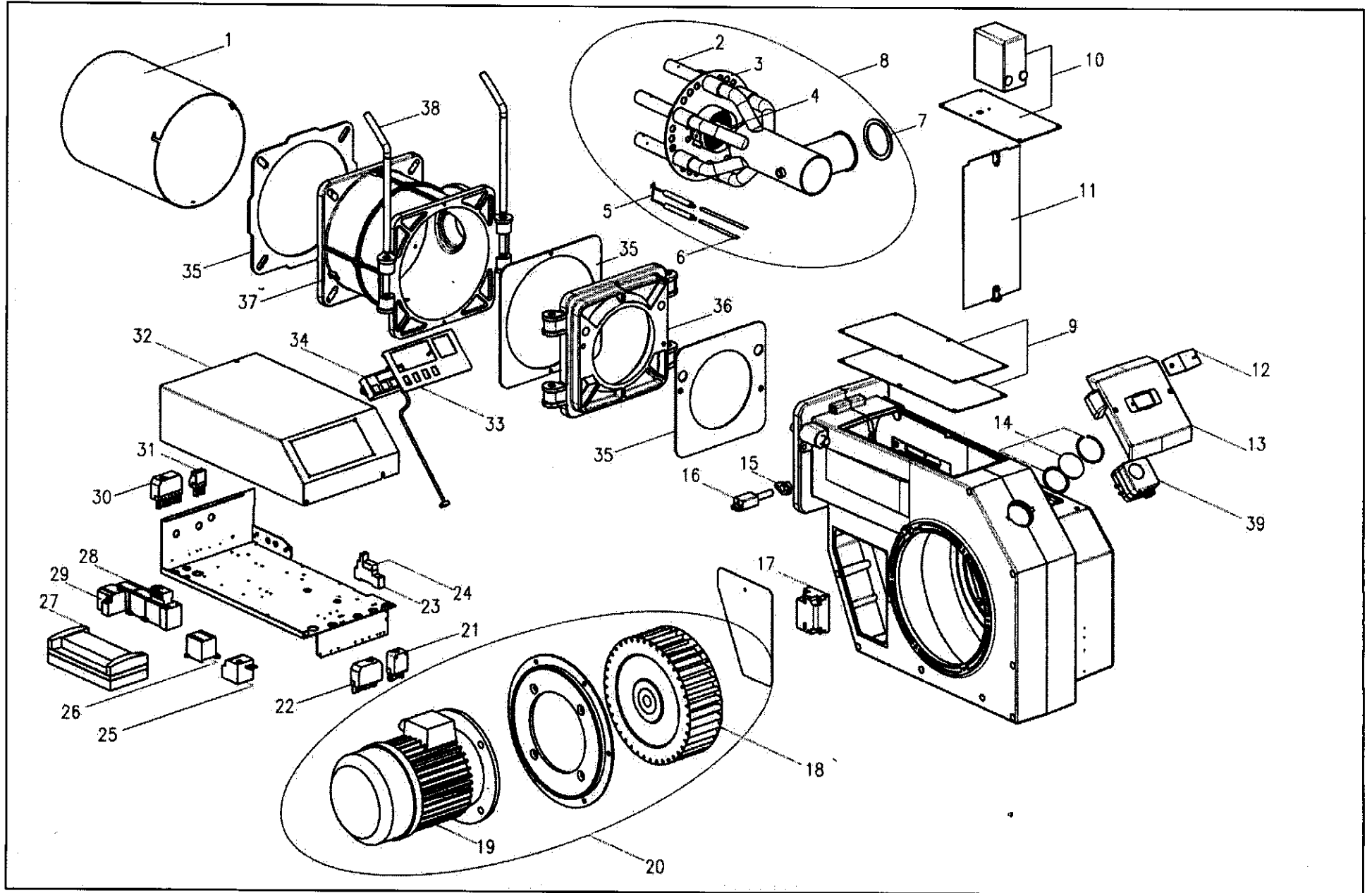


MGN1550 Nu-way Spares Dwg



Spare parts list MGN1550 LN T3D

Ref	Benennung	QTY	Art.Nr.
1	Flame tube 300mm	1	47-90-12890
1	Flame tube 500mm (200mm extended)	1	47-90-12951
2	Secondary gas nozzle	1	47-90-22886
3	Diffuser	1	46-90-12928
4	Primary gas nozzle	1	47-90-12884
5	Ignition electrode	2	47-50-24517
6	Ignition cable 1000mm long	2	47-50-25003
6	Ignition cable +200mm extended	2	47-50-25482
7	Gasket for gas nozzle assembly	5	47-50-12791
8	Gas nozzle assembly	1	46-90-12933
8	Gas nozzle assembly +200mm extended	1	46-90-12957
9	Fan casing lid with gasket	1	47-90-12982
10	Air damper motor SAD 1.5	1	47-90-26383
11	Air damper	1	47-90-24464
12	Lid for inspection glass cover	5	47-50-12106
13	Inspection glass cover	1	47-90-24999
14	Inspection glass with gasket	1	36-90-11544
15	Holder M93 for flame detector IRD 1020	1	47-90-22241
16	Flame detector IRD 1020 blue left	1	47-90-22240
17	Electronic ignition transformer & cable 200mm	1	47-90-26790
18	Fan wheel Ø280x110	1	47-90-22580
19	Fan motor 4,0 kW 400V / 50Hz	1	47-90-12803
20	Fan motor assembly	1	47-90-26798
21	4 pin Wieland socket, green	1	37-90-20744
22	7 pin Wieland socket, brown/black	1	37-90-20731
23	Base CR-PLSx	1	47-90-26713
24	Relay CR-P230AC2	1	47-90-25199
25	Thermal overload relay 9.0 - 12.0 A	1	47-90-25175
26	Motor protection B7-30-10	1	47-90-25171
27	Automatic burner control system MPA 22	1	47-90-24166
28	Star-delta starter YKB-30	1	47-90-25176
29	Overload 4,0 - 6,0 A	1	47-90-25173
30	7 pin Wieland socket, green	1	37-90-10831
31	3 pin Wieland socket, black	1	37-90-20739
32	Cover for burner terminal panel	1	47-90-25206
33	Switch board	1	47-90-24887
34	Display AM07	1	47-90-24167
35	Gasket set	1	47-90-26792
36	Hinge plate	1	47-90-12771
37	Hinged extension	1	47-90-12770
38	Hinge pin	2	46-90-12809
39	Air pressure switch LGW 50 A2	1	44-90-20793
	Fan inlet device	1	47-90-12785
	Air inlet guard	1	46-90-12992

RX 0