

Installation & Maintenance Manual

G200 Universal

Oil Burner

Contents

1.	General information	3
2.	Checking scope of supply and electrical ratings	3
3.	Operating instructions	3
4.	Instruction	3
5.	Maintenance and customer service	3
6.	Technical specifications	4
7.	Functional description	4
8.	Air/oil flow schematic.....	4
9.	Installing flange and burner.....	5
10.	Connecting to power supply.....	5
11.	Compressed air connection	5
12.	Oil pump.....	6
13.	Installing the oil line.....	6
14.	Setting the ignition electrodes.....	6
15.	Control unit	7
16.	Table of settings	8
17.	Settings for primary airflow	9
18.	Combustion air flow rate	9
19.	Flue connection.....	10
20.	Flue gas thermometer.....	10
21.	Maintenance	10
22.	Wiring diagram.....	11
23.	Possible errors	12
24.	Exploded view drawing / parts list.....	13
25.	Burner dimensions / boiler connecting dimensions.....	16
26.	Operating range	16

1. General information

An oil-fired system must be installed in compliance with a number of regulations and requirements. It is therefore the duty of the installer to be familiar with all applicable regulations and requirements. Installation, start-up and maintenance must be performed with utmost care.

The burner must not be operated in rooms with high levels of air humidity (laundry rooms), dust or corrosive vapours.



The universal oil burners are suitable for use with a variety of natural oils and mineral-based oils. On account of their viscosity, these oils are not in conformity with EN 267 for oil burners. The burners are, therefore, not licensable. An inspection to determine suitability for the selected fuel type must be performed by the operator prior to acceptance of the installation.

The design and degree of protection of the burner make it suitable for operation in enclosed rooms.

2. Checking scope of supply and electrical ratings

Before installing the GIERSCH universal oil burner please check the items supplied for completeness.

Scope of supply:

burner, mounting unit, separate operating instructions, technical information, flange seal.



Near wear-free compressed air atomising nozzles are pre-fitted at the factory.

3. Operating instructions

This technical information should be displayed in a visible position in the boiler room as operating instructions. It is essential to write the address of the nearest customer service centre in the operating instructions.



Caution !

Improper installation, adjustment, modification, operation or maintenance may result in physical injury or damage to property/equipment. Read the instructions prior to use. This product must be installed in accordance with the applicable regulations (e.g. DIN-VDE).

4. Instruction of operating personnel

Faults are often caused by operator error. The operating personnel must be properly instructed in how the burner works. In the event of recurring faults, Customer Service should be notified.

5. Maintenance and customer service

The complete system should be checked once a year for proper functioning and leak tightness by an authorised representative of the manufacturer or by another expert. We accept no liability for consequential damage in cases of incorrect installation or repair, the fitting of non-genuine parts or where the equipment has been used for purposes for which it was not intended.

6. Technical specifications

		Burner type
Technical specifications		G200
Output, fuel oil	KW	149 - 208
Output, rapeseed oil	KW	100 - 149
Oil throughput	kg/h	16.5
Compressor output	m ³ /h	25
Primary air connection	bar	0.5 - 1.4
Motor output	W	250
Heating element	W	1100
Voltage		1/N/PE ~50 Hz 220 - 240 V
Weight	kg	22

7. Functional description

The fuel is pumped out of the supply tank and into the burner tank. A float switch controls the level inside the burner tank. An additional microswitch serves as a limiter, switching over to fault mode when the tank is overfilled.

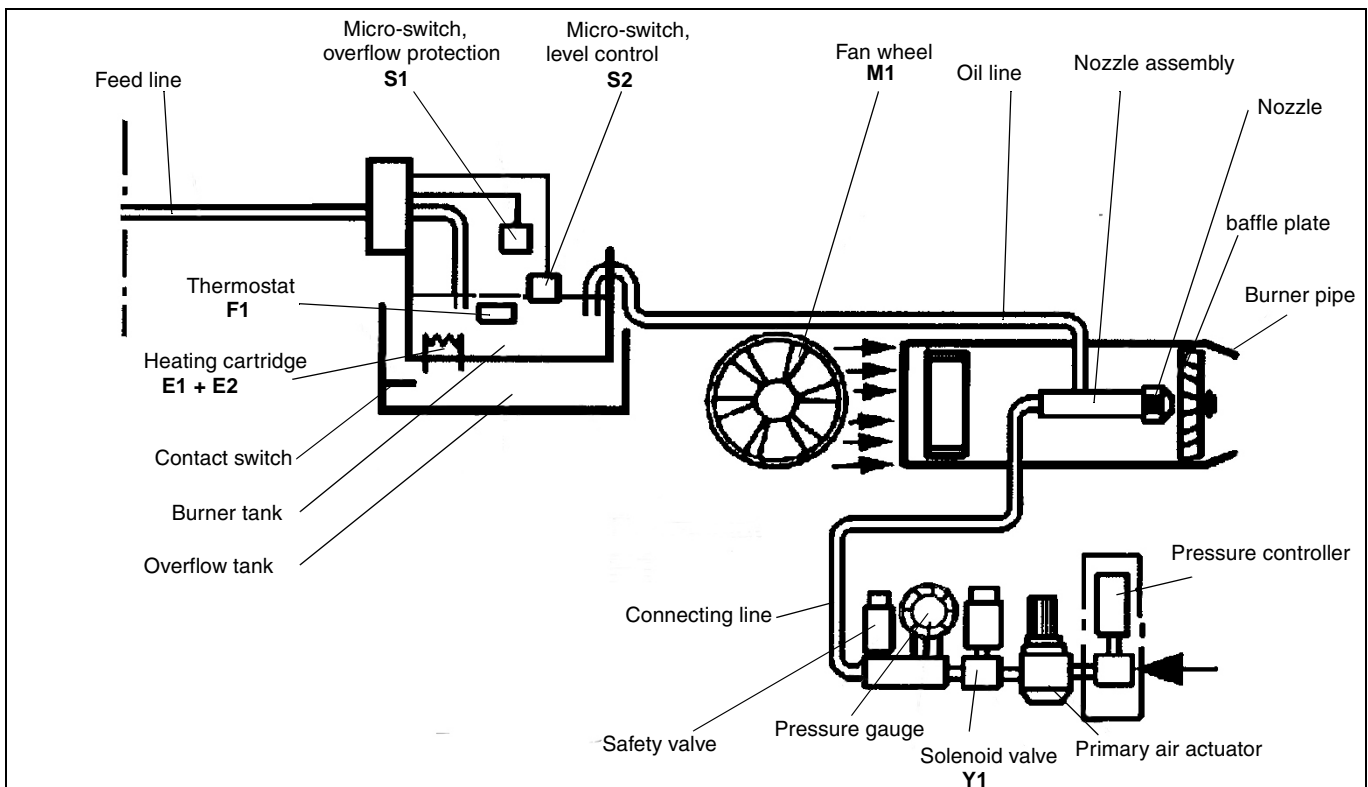
A thermostat regulates the oil temperature in the burner tank and starts the burner when the set temperature is reached. Thereafter, the automatic oil burner control system controls and monitors the operation of the burner.

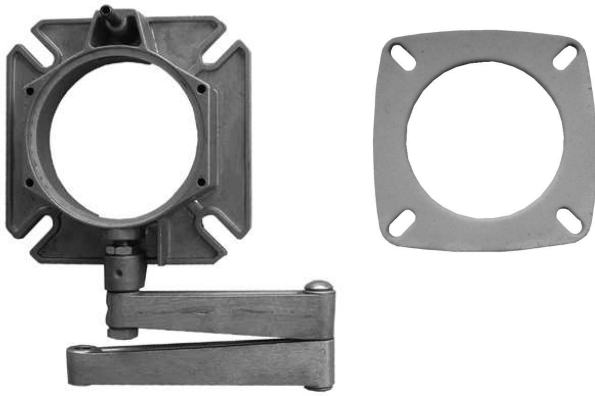
Fuel is aspirated and finely atomised by a special nozzle using the compressed air flowing through the burner, which is used as primary air for the combustion process.

The burner blower supplies the secondary air which is added to the atomised spray at the baffle plate. This ensures full combustion and operational reliability.

At the oil temperature in excess of 150° C, the safety switch automatically de-energises the burner.

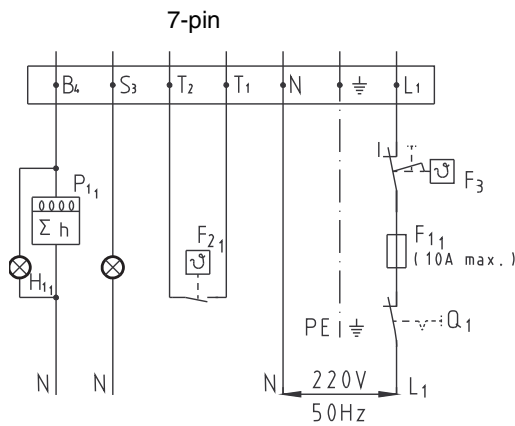
8. Air/oil flow schematic





9. Install flange and burner

Attach the burner flange and the seal to the heat generator.



10. Connect to power supply

- Connect the burner to the power supply using the supplied connector unit as indicated in the wiring diagram.
- HEED LOCAL REGULATIONS !
- Use flexible wiring.

Overcurrent protection configuration

The overcurrent protection devices must be rated for the electrical current range indicated in the technical specifications and to provide protection against electrical shock according to DIN IEC 60364-4-41 (VDE 0100-410).



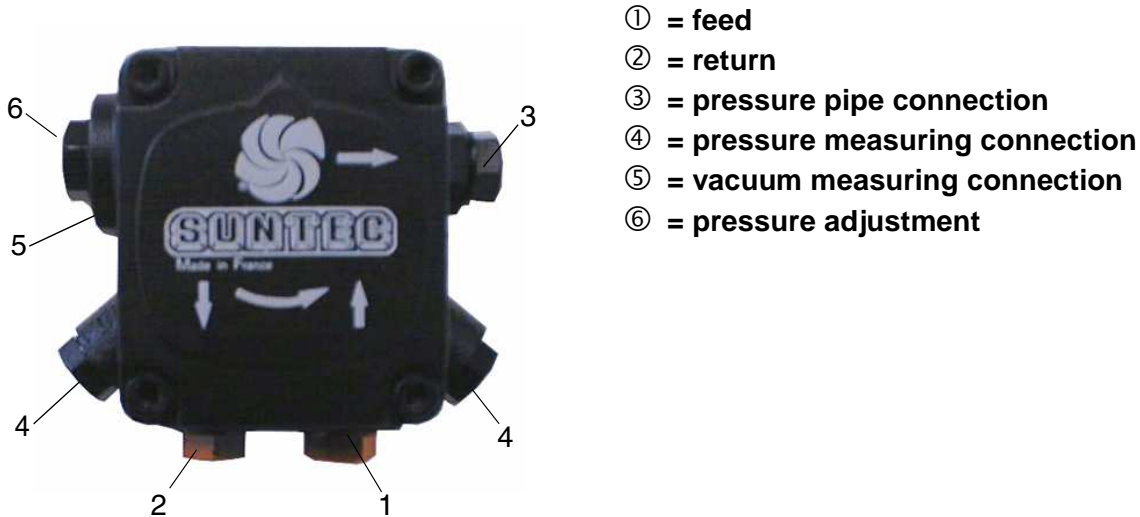
11. Compressed air connection

Connect a compressed air line to the pressure regulator (1).

12. Oil pump

The oil pumps serve as delivery units, pumping oil into the burner tank. The atomisation of the oil is not dependent on the oil pressure.

Suntec oil pump:

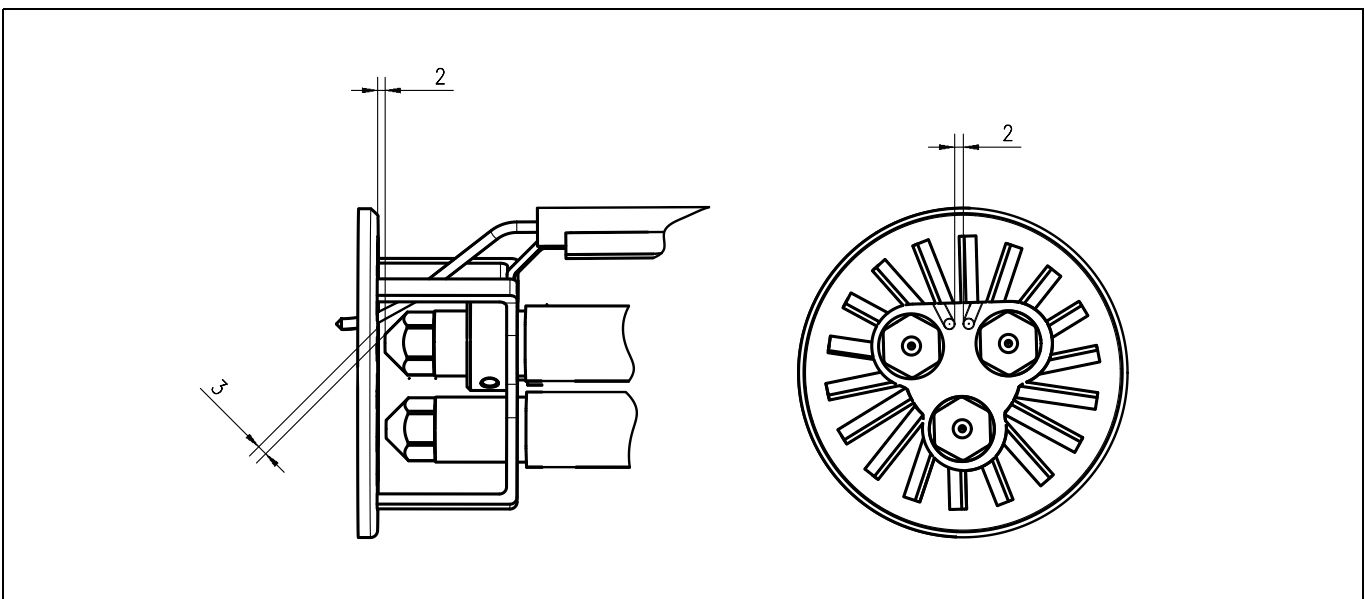


13. Installing the oil line

Install oil lines, filters and floating suction unit from the supply pump to the supply tank. For installation in the open air or on outside walls, the lines must be specially insulated or fitted with additional pipe heaters, as otherwise the water contained in the oil will freeze causing the oil to become highly viscous.

14. Setting the ignition electrodes

The ignition electrodes are preset. The specified dimensions (Fig.) are for checking purposes.



15. Function testing the control unit

Carry out the following checks after start-up and after the burner has been serviced:

- Warm restart with covered flame failure controller:
The control box must indicate a fault once the safety time has elapsed.
- Burner start-up with flame detector exposed to external light, e.g. fluorescent lamp, lighter, light bulb (daylight is not enough):
Due to the flame simulation, the control box must indicate a fault during the pre-aeration time.
- Normal start-up - if the burner is in operation, darken the flame detector during the post-ignition period (e.g. unplug and cover flame detector)
TF 834: the ignition must switch on and upon expiration of the safety period the device must switch over to fault mode.
- Post-aeration after flame cut-off.

Safety and switching functions

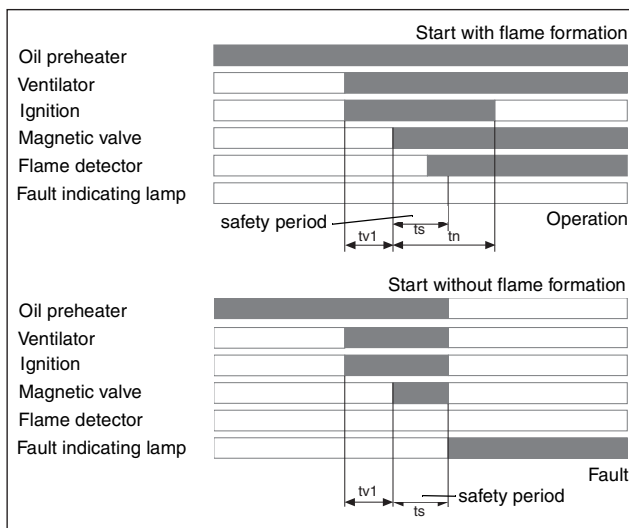
If a flame failure occurs during operation, the fuel feed shuts off immediately and the system tries a restart, with pre-aeration and retarded ignition. If no flame results, the control box indicates a fault after the safety interval expires. In any case, the control unit is restarted following a mains power failure. The control unit indicates a

fault if an external light source is detected during the pre-aeration cycle after expiration of the safety cycle.



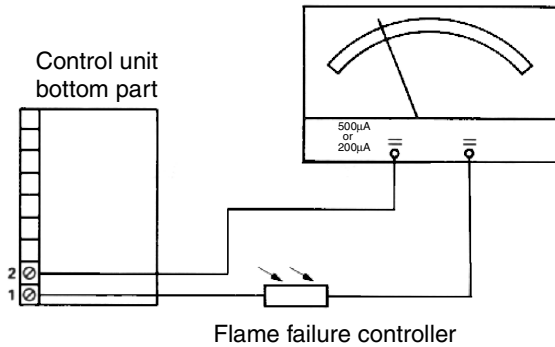
The control unit may only be plugged in or unplugged if the master switch is in the "OFF" position or if the 7-pin plug connector is disconnected, because the bottom part of the control unit carries 230 V.

Flame simulation must not be permitted on the photoresistor or on the flame failure controller (e.g. via an inspection glass or glowing chamotte). Only then is fault-free operation of the system assured.



Honeywell:	TF 834.3
t_{v1} = pre-ignition cycle + pre-aeration	12 secs.
t_s = safety interval	10 secs.
t_n = post-ignition time	20 sec.
Post-aeration after flame cut-out.	-
Delay after switching-off fault	approx. 60 sec.
Photoresistor (flame detector)	MZ770

Adjustment table



Measuring the photocurrent (MZ 770S only)

To measure the photocurrent, disconnect the plug unit from the flame failure controller and install the pair of measuring cables* between the plug and socket unit. Both measuring connections should be connected to the measuring instrument. If there is a negative deflection of the measuring instrument, reverse the plug on the measuring instrument lead ! Set the measuring instrument to ampere metering for DC, measuring range up to approx. 200 µmA !

Recommended measuring accessories

Digital measuring instrument Art. No. 59-20-50263

* Pair of measuring cables

for photocurrent Art. No. 59-20-50408

16. Adjustment table



The values given in the table are only setting values for start-up. The system settings required in each case must be redefined if values such as boiler output, calorific value and altitude deviate. **Adjustment is required in any case (due to the system design).**

- For initial start-up, fill the burner tank up to the oil mark by hand.



Caution !

If the oil level is too high, the float switch will switch off the burner.

If the oil level is too low, the heating cartridge will become encrusted or damaged.

Adjustment table for rapeseed oil

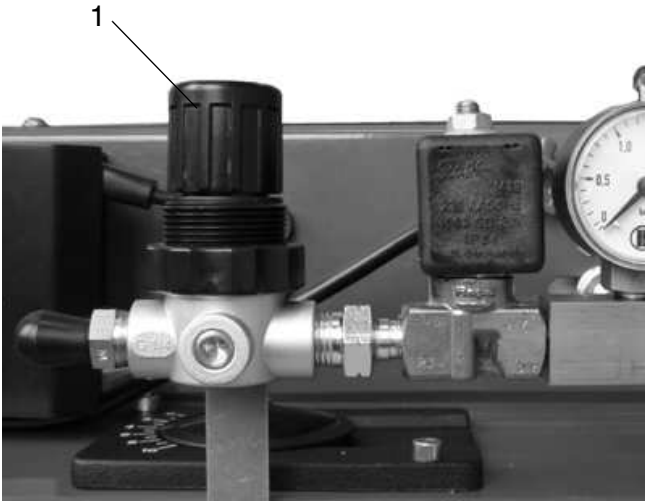
Burner type	G200				
Output in kW	100	111	131	140	149
Oil throughput in kg/h	9.42	10.5	12.3	13.2	14
Primary air in bar	0.5	0.7	0.8	1.0	1.2
Secondary air (scale on air damper)	2.8	3.0	3.3	4.2	1.7
Thermostat setting in °C	140				

Adjustment table for fuel oil

Burner type	G200				
Output in kW	149	159	179	192	208
Oil throughput in kg/h	12.5	13.3	15.0	16.1	17.4
Primary air in bar	0.6	0.7	0.9	1.1	1.4
Secondary air (scale on air damper)	5.0	5.2	6.0	6.8	7.5
Thermostat setting in °C	0° do not heat				

The thermostat on the burner tank must be set to between "min." for heating oil EL and 140°C for rapeseed oil, depending on the viscosity of the oil.

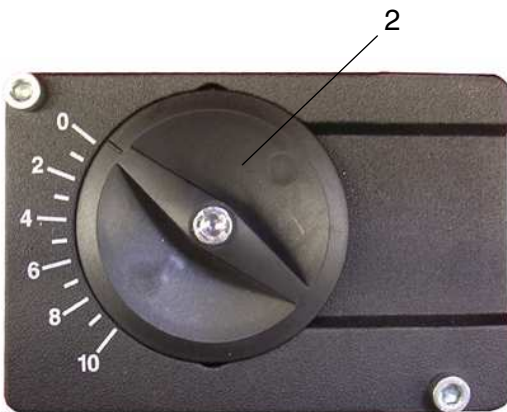
17. Settings for primary airflow



The primary airflow should be set using the pressure regulator (1) according to the required burner output. The information given in the diagram can be used as guide values.

Higher-viscosity fuels require higher air pressures.

18. Combustion air flow rate



Setting the combustion air flow rate (2).

Ideal values:

- Soot index according to Bacharach <1
- O₂ = 4 - 5%

The CO₂ values of a commercially available measuring instrument can only be used for processing the combustion process for heating oil EL.

Flue gas temperature according to the operating instructions of the heat generator.

19. Flue connection

The prerequisite for perfect operation of the furnace is a correctly dimensioned flue.

Dimensioning is effected in accordance with DIN 4705 in consideration of DIN 18160 and based on the boiler and burner outputs.

For operation on a sliding basis, provide flues as per DIN 18160 part, group 1. The flue gas mass flow of the total rated heat output must be factored into the calculation. The effective flue height is counted from burner level. Furthermore, we refer you to the statutory building regulations of the individual German federal states.

Select a flue design which minimises the danger of condensation or of a cold flue inner wall.



For exact adjustment and stabilisation of the flue draught we recommend the installation of a draught limiter.

Thus:

- any draught fluctuations are equalised
- moisture in the flue is largely excluded
- stoppage losses are reduced.

Connection pieces should be introduced into the flue with a gradient of 30° or 45° viewed in flow direction. It is best to provide flue gas pipes with thermal insulation.

20. Flue gas thermometer

For flue gas temperature monitoring the heating system should be equipped with a flue gas thermometer. The higher the flue gas temperature, the greater the flue gas loss.

Rising flue gas temperatures indicate increasing deposits that will reduce the degree of combustion efficiency. In the event of an increasing flue gas temperature have the heating installation cleaned and readjusted by a skilled person.

21. Maintenance

Depending on the quality of the oil used, we recommend the following maintenance intervals:

After more than 3 days downtime:

- drain off residual water and sludge through the water drain cock in the burner tank,

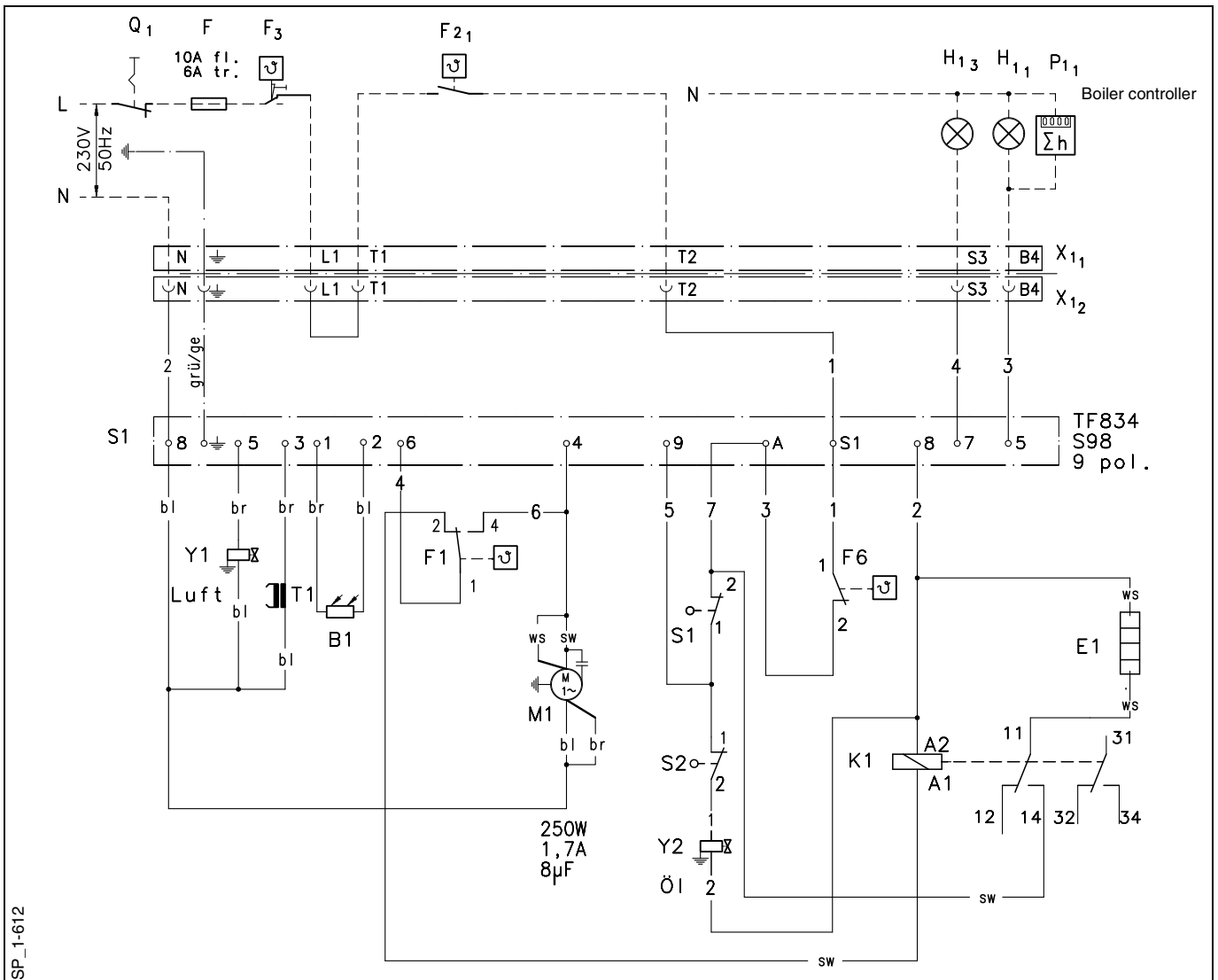
Monthly:

- Clean the filter in the supply tank or the unit tank and strainer on the floating suction unit
- Remove and clean the feed pump filter
- Remove sludge and residual water from the supply tank or unit tank
- The quantity can be determined by using water indication paste and a gauging rod
- Clean the photocell
- Clean the ignition electrode and baffle plate and blow out the nozzle with compressed air, check the spacing between the ignition electrodes (refer to checking dimensions for ignition electrodes)

Annually (before or after the heating period):

- Carry out monthly maintenance as described
- Clean the heating cartridges in the burner tank
- Clean the ignition electrodes and baffle plate, blow out the nozzle with compressed air and check the spacing between the ignition electrodes
- Clean the burner tank, supply tank and unit tank thoroughly.

22. Circuit diagram



SP_1-612

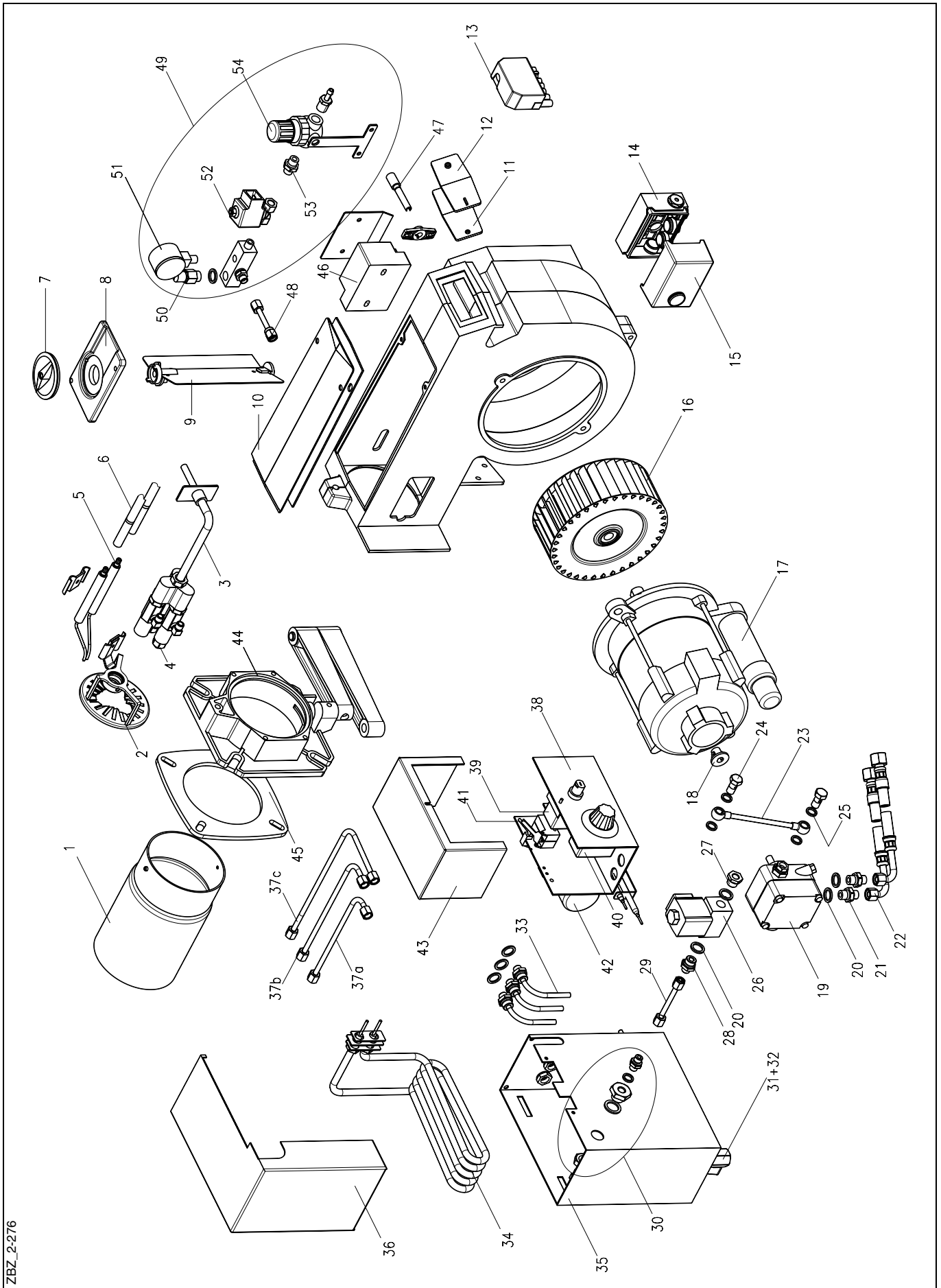
- B1 Flame detector MZ770
- E1 Heating coil 1100 W
- F Ext. fuse
- F1 Control thermostat
- F21 Ext. temperature control
- F3 Ext. safety temperature limiter
- F6 Safety thermostat (STB)
- H11 Ext. status lamp
- H13 Ext. fault indication lamp
- K1 Relay
- M1 Burner motor
- P11 Ext. operating hours counter
- Q1 Heater power switch
- S1 Micro-switch, overflow protection
- S2 Level micro-switch (pump SV)
- T1 Ignition transformer
- X11 Boiler control connector unit
- X12 Burner socket unit
- X81 Single-pole terminal strip
- Y1 Compressed air solenoid valve
- Y2 Pump solenoid valve
- PE Grounded conductor

- bl = blue
- br = brown
- ge = yellow
- gr = grey
- grü = green
- sw = black
- rt = red
- ws = white

23. Troubleshooting

Observation	Cause	Remedy
Burner does not start up	<p>Oil not combustible due to sludge and / or water</p> <p>Oil tank empty Oil level in burner tank too high</p> <p>Filter dirty, oil or air lines leaky Faulty feed pump solenoid valve</p> <p>Nozzle dirty or faulty Feed pump blocked No current Motor faulty Thermostat faulty Photocell dirty or not correctly inserted</p> <p>Control unit faulty No ignition</p> <p>No compressed air</p> <p>Solenoid valve faulty Compressor or air line faulty</p>	<p>Open the water drain cock on the burner tank, drain off sludge and water or use a higher-grade heating oil Refill tank with oil</p> <p>Correct the oil level by draining off oil by means of the water cock (readjust the level control float switch, if necessary)</p> <p>Clean the filter, feed pump filter and lines Check the feed pump solenoid valve and replace if necessary</p> <p>Replace nozzle Strip the feed pump and clean the gear Switch on the heater switch Replace Replace Clean the photocell, replace it or connect it properly Replace Adjust the ignition electrode, replace the ignition transformer if necessary and check the ignition cable Connect and/or open the compressed air and set the pressure Replace Replace</p>
Burner starts very late	Heating cartridge and thermocouple in burner tank encrusted or faulty	Clean or replace the heating cartridge and thermocouple in the burner tank
Burner starts without pre-ventilating	Solenoid valve sticking in open position	Replace
No oil feed	Solenoid valve faulty	Replace
Flame is interrupted or extinguishes	<p>Oil not combustible due to sludge and / or water</p> <p>Oil supply used up Clogged nozzle Dirty feed pump filter Oil line to tank frozen Supply tank too far away from burner Filter or oil lines dirty Solenoid valve faulty Too much or not enough compressed air</p> <p>Safety temperature limiter is in the safety position because the heater has overheated Micro-switch in burner tank cuts out</p>	<p>Open the water drain cock on the burner tank, drain off sludge and water or use higher-grade oil Refill tank with oil Replace nozzle Clean feed pump filter Clean oil lines, and insulate tank and oil line Install an additional feed pump Replace filter and clean oil lines Replace Check compressed air and gauge pressure using primary airflow control Troubleshoot the heater and unlock the safety temperature limiter Adjust the level control float</p>
Nozzle and baffle plate are heavily soiled with oil or soot	<p>Incorrect baffle plate setting Combustion airflow rate too high or too low</p> <p>Boiler room is not sufficiently ventilated</p>	<p>Correct the baffle plate setting dimensions Set the primary airflow rate Set the secondary airflow rate at the air control flap Pay attention to sufficiently large ventilation ports</p>

24. Exploded view drawing / spare parts list

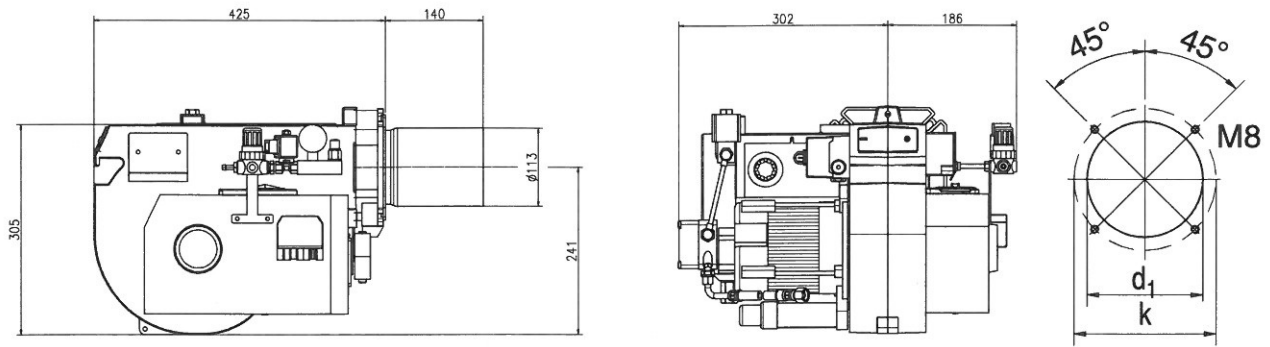


ZBZ_2-276

Exploded view drawing / spare parts list

Position	Designation	Pack qty.	Art. No.
1	Burner pipe	1	47-90-27625
2	Diaphragm plate compl. with holder	1	41-90-20850
3	Nozzle assembly compl.	1	37-90-12156
4	Delavan HV2 nozzle	1	59-20-50449
5	Ignition electrodes (left + right)	1	47-90-26037
6	Ignition cable 440 mm long	2	47-50-26739
7	Air control handwheel	1	47-90-12100
8	Air damper flange	1	47-90-12099
9	Air flap, compl. preassembled	1	47-90-10646
10	Seal for housing cover	5	47-50-10668
11	Sight glass	5	47-50-12105
12	Sight glass cover	5	47-50-12106
13	7-pin socket with cable	1	47-90-11839
14	Control unit bottom part S98, 9-pin, compl.	1	31-90-22664
15	Satronic TF 834.3 control unit	1	37-90-11285
16	Fan wheel 160 x 62	1	47-90-10665
17	Motor 250 W	1	33-90-10343
18	Coupling	10	37-50-10110
19	Suntec D45B pump with connections	1	47-90-26160
20	Conical nipple AL 13 x 18 x 2	50	38-50-11293
21	Hose nipple R 1/4" x 8LL	10	37-50-11348
22	Metal hose, nom. size 6	1	47-90-11347
23	Pump - solenoid valve connecting tube	1	47-90-26162
24	Banjo screw R1/8"	10	37-50-10736
25	Conical nipple AL 14 x 10 x 2	50	37-50-10788
26	Solenoid valve R1/4" SV04	1	36-90-11583
26	Solenoid valve coil	1	47-90-24686
27	Thread reducing adaptor 1/4" - 1/8"	1	47-90-11303
28	Hose nipple R1/4" x 6LL	10	47-50-20862
29	Solenoid valve - oil tank connecting tube	1	47-90-26512
30	Oil tank - solenoid valve connection compl.	1	47-90-27627
31	Seal 24 x 16 x 2	10	47-50-10516
32	Drain valve	1	47-90-10472
33	Intake tube compl.	1	47-90-24514
34	Heating coil 1100 W	1	47-90-24505
35	Oil tank G200 compl.	1	47-90-26165
36	Oil tank cover	1	47-90-24520
37a	Oil tank - nozzle assembly connecting tube part 1	1	47-90-26186
37b	Oil tank - nozzle assembly connecting tube part 2	1	47-90-26187
37c	Oil tank - nozzle assembly connecting tube part 3	1	47-90-26188
38	Control housing shroud, compl. preassembled	1	47-90-27351
39	Safety thermostat	1	47-90-27327
40	Flush-type thermostat	1	47-90-22805-01
41	Twin microswitch	1	47-90-10601
42	Float	1	47-90-22420
43	Control housing cover	1	47-90-24525
44	Swivel flange compl.	1	47-90-26181
45	Mounting flange seal	5	47-50-12094
46	Electronic ignition unit Mod. 26/48	1	47-90-26930
47	Flame detector MZ770 compl. with cable	1	47-90-22816
48	Air distributor connecting tube	1	47-90-27628
49	Air distributor, compl. preassembled	1	47-90-24568
50	Safety valve	1	47-90-22344
51	Pressure gauge 0-2.5 bar	1	47-90-12121
52	Solenoid valve coil	1	59-90-50368
53	Double reduction nipple 1/4" - 1/8"	1	44-90-23075
54	Replacement pressure regulator	1	47-90-24594

25. Burner dimensions / boiler connection dimensions

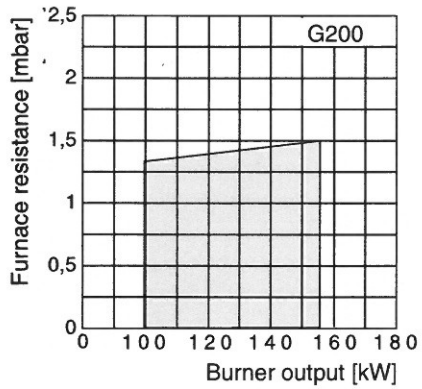


ZBZ_2-280

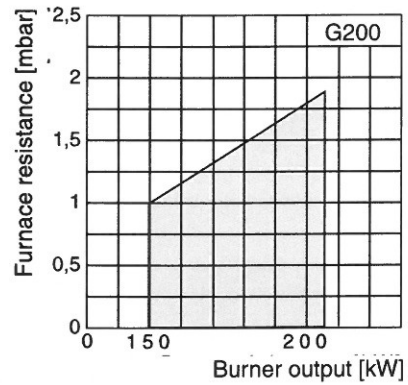
Burner type	d_1	k
G200	104/146	150 - 195

26. Working range

Rapeseed oil



Fuel oil



Enertech Limited,
P O Box 1,
Vines Lane
Droitwich,
Worcestershire,
WR9 8NA

Tel: +44 (0) 1905 794331
Email: info@nu-way.co.uk

Fax: +44 (0) 1905 794017
Web: www.nu-way.co.uk

